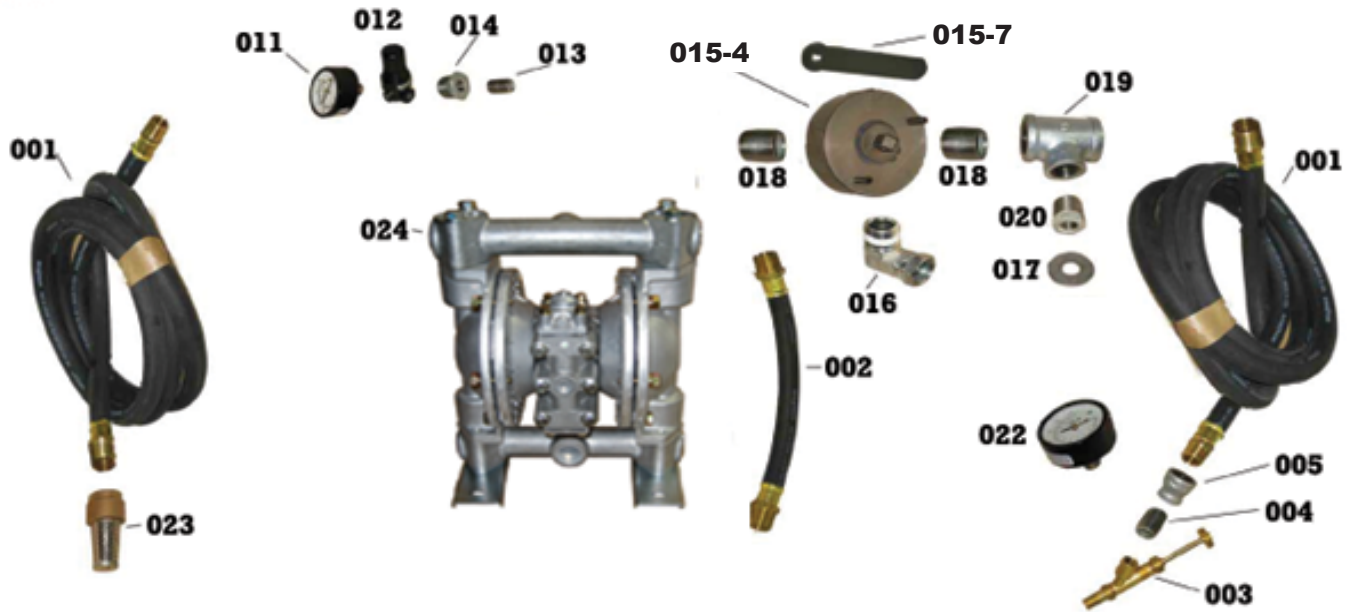


15100 YAMADA CALCIUM CHLORIDE PUMP



Parts Breakdown

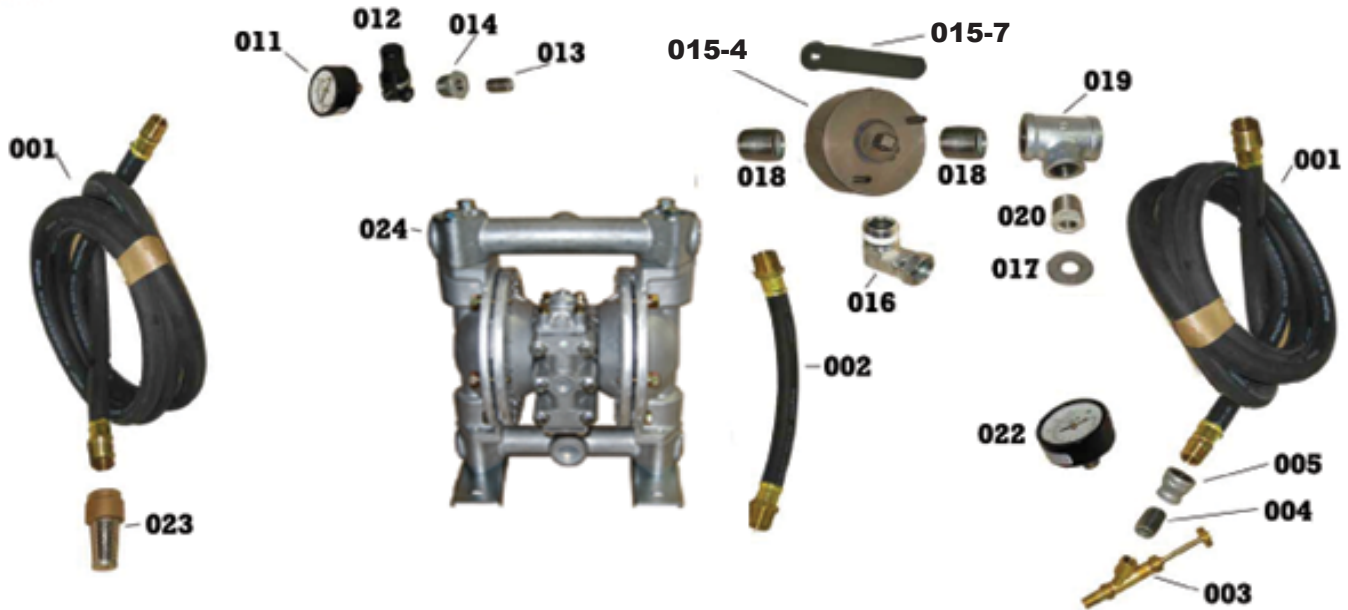


ITEM	PRODUCT NO.	DESCRIPTION	QTY
1	15090-001	CALCIUM HOSE 10" x 3/4" x 1"	2
2	15090-002	CALCIUM HOSE 16" x 1" x 1"	1
3	15090-003	CALCIUM INJECTOR GUN	1
4	15090-004	1/2" CLOSE NIPPLE	1
5	15090-005	COUPLING 3/4" F x 1/2" F	1
6	15090-006	BASE PLATE	1
7	15090-007	1/4" LOCK WASHER	4
8	15090-008	1/4" x 20 NUT	4
9	15090-009	1/4" x 20 x 3.5" BOLT	4
10	15090-010	MUFFLER	1
11	15090011	AIR GAUGE 1/8" BACK MOUNT	1
12	15090-012	REGULATOR	1
13	15090-013	1/4" CLOSE NIPPLE	1
14	15090-014	BUSHING 1/2" M x 1/4" F	1



15100 YAMADA CALCIUM CHLORIDE PUMP

Parts Breakdown



ITEM	PRODUCT NO.	DESCRIPTION	QTY
15	15090-015-4	HARD ANODIZED ALUMINUM VALVE HOUSING	1
16	15090-016	FITTING 1" WITH SWIVEL	1
17	15090-0017	FLAT WASHER	2
18	15090-018	1" CLOSE NIPPLE	1
19	15090-019	TREE 1" x 3/4"	1
20	15090-020	BUSHING 3/4" M x 1/4" F	1
22	15090-022	AIR GAUGE 1/4" BACK MOUNT	1
23	15090-023	SEUTION STRAINER 3/4"	1
24	15090-024	1/4" LOCK WASHER	4
*15950 OFFERED AS STANDARD PRODUCT. ITEM SHIPS COMPLETE WITH HANDLE.			