



MODEL 565F - 22 TON AIR/HYDRAULIC AXLE JACK

PART ORDER NUMBER	KIT DESCRIPTION	KIT INCLUDES	
		REF. #	DESCRIPTION
565AKHU	HYDRAULIC UNIT COMPLETE	68	HYDRAULIC UNIT COMPLETE
565AK326C	UNIVERSAL ASSEMBLY COMPLETE	62	UNIVERSAL ASSEMBLY COMPLETE
565AK435	AIR HOSE KIT	25	AIR HOSE KIT
565F48	AIR MOTOR COMPLETE	48	AIR MOTOR COMPLETE
565AK24C	HANDLE RETAINER	24	WASHER
		25	SCREW
565AK19C	LIFT PISTON COMPLETE	78	EXTENSION SCREW
		77	SPRING PIN
		82	SCREW BUSHING
		82	SEAL RING
		79	HEAD NUT
		81	O-RING
		76	PISTON ROD
		75	STOP RING
		74	U-SHAPE SEAL
		73	PISTON HEAD
72	ELASTIC STOP RING		
565FKRK	REPAIR KIT	49	WASHER
		50	WASHER
		51	O-RING
		70	O-RING
		72	STOP RING
		74	Y- SEAL
		75	STOP RING
		80	O-RING
		82	Y-SEAL
		86	SEALING RING
		87	O-RING
		89	VALVE
		90	SPRING
		92	O-RING
		94	STEEL BALL
		95	SPRING
		97	STEEL BALL



MODEL 565F - 22 TON AIR/HYDRAULIC AXLE JACK

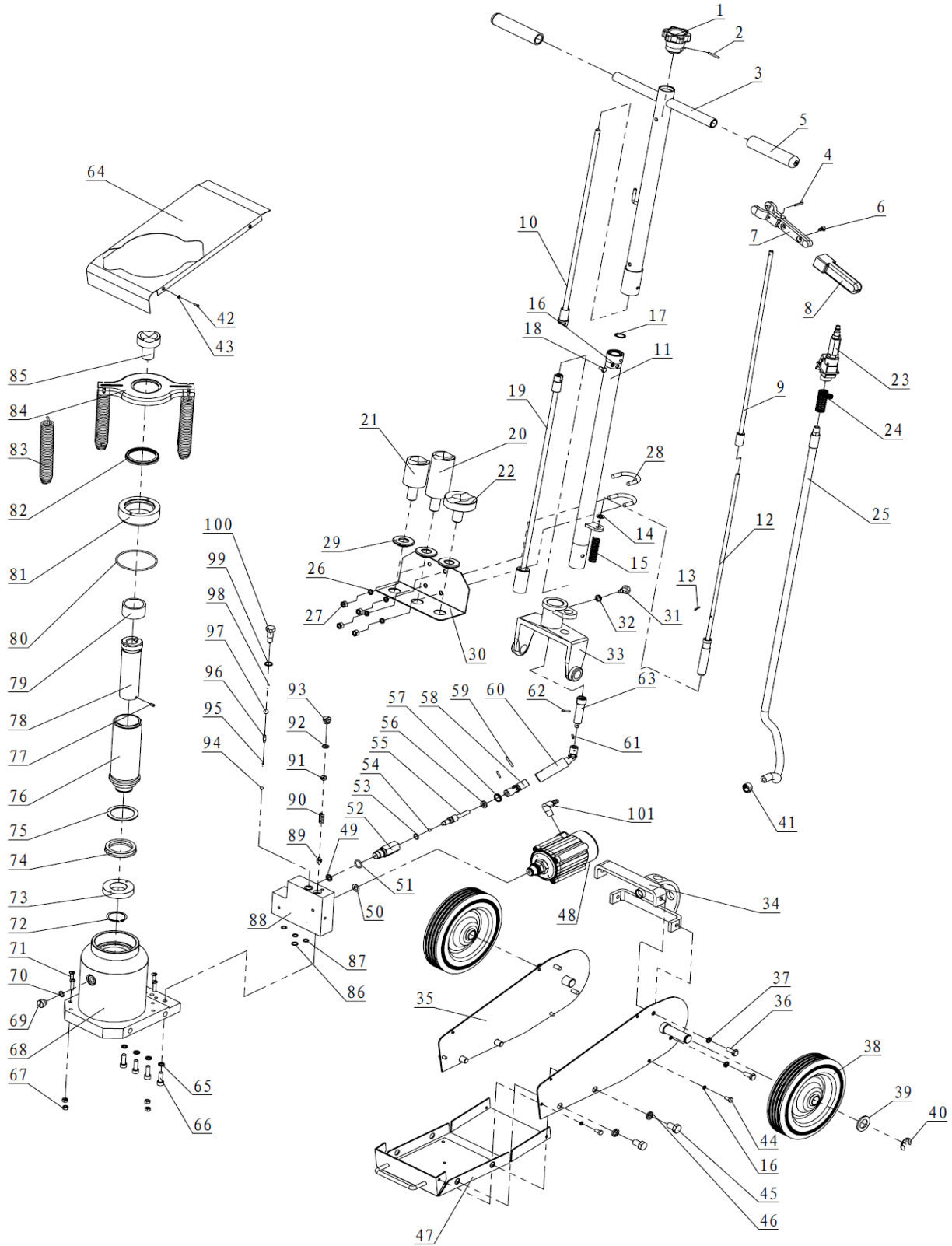
PART ORDER NUMBER	KIT DESCRIPTION	KIT INCLUDES	
		REF. #	DESCRIPTION
565AK21C	CHASSIS ASSEMBLY	34	ANGLE BRACKET
		35	SIDE PLATES
		47	BASE
		64	TOP
565AK319	RELEASE VALVE ASSEMBLY	54	RELEASE VALVE ASSEMBLY
565F84	SUPPORT AND SPRINGS, SET	83	HYDRAULIC RETURN SPRING X 4
		67	NUT X 4
		71	BOLT X 4
		84	SPRING SUPPORT
565AK63C	CONTROL ROD KIT	9	ADJUSTABLE ROD UPPER 1/2
		12	ADJUSTABLE ROD LOWER 1/2
		13	COTTER PIN X 2
		15	SPRING
		7	LOCK LEVER
		4	SPRING PIN
		6	HEXAGON HEAD SCREW X 2
565AK148	HANDLE COMPLETE		HANDLE COMPLETE
565F38	WHEEL	38	WHEEL
565F39	LOCK WASHER KIT	39	WASHER
		40	SNAP RING
565AK22	ANGLE BRACKET KIT	34	ANGLE BRACKET
		2.3	HANDLE FORK
		31	WASHER
		31	SCREW
		37	WASHER - 4
		36	BOLT - 4
565AK53C	AIR VALVE ASSEMBLY COMPLETE	23	AIR VALVE ASSEMBLY COMPLETE
565AK12	SADDLE	85	SADDLE
565AK13A	EXTENSION SCREW SET	78	EXTENSION SCREW
565F88	CYLINDER BASE	88	CYLINDER BASE

*** ONLY PARTS WITH A "PART ORDER NUMBER" ARE AVAILABLE FOR SALE.**

DO NOT COPY OR DISTRIBUTE THIS MATERIAL WITHOUT PERMISSION OF AFF, INC.



MODEL 565F - 22 TON AIR/HYDRAULIC AXLE JACK

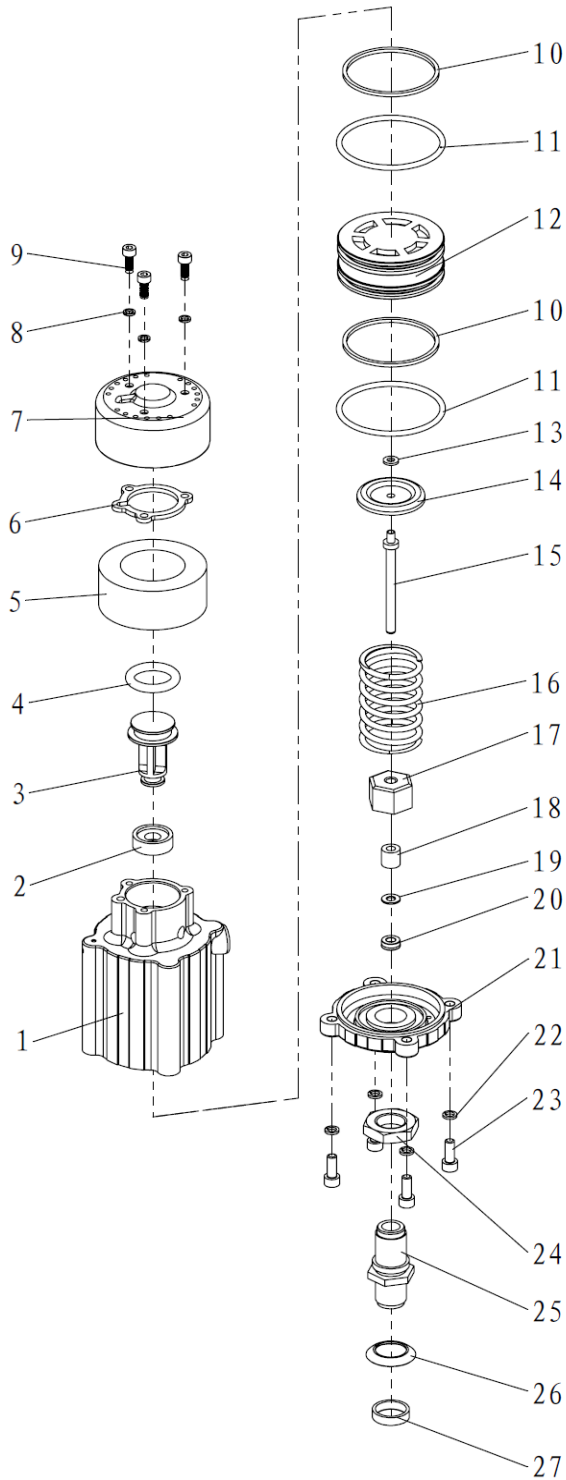


* ONLY PARTS WITH A "PART ORDER NUMBER" ARE AVAILABLE FOR SALE.

DO NOT COPY OR DISTRIBUTE THIS MATERIAL WITHOUT PERMISSION OF AFF, INC.



MODEL 565F - 22 TON AIR/HYDRAULIC AXLE JACK



NO.	DESCRIPTION
1	AIR PUMP BODY
2	SEAL
3	SHUTTLE VALVE
4	O-RING
5	SPONGE
6	PACKING WASHER
7	MUFFLER
8	WASHER
9	BOLT
10	SQUARE RING
11	O-RING
12	PISTON
13	WASHER
14	BLOCK
15	PLUNGER
16	SPRING
17	NUT
18	PACKING GUIDE
19	NL REAINER
20	"Y" SEAL
21	COVER
22	WASHER
23	BOLT
24	ADJUSTING NUT
25	PLUNGER COVER
26	COVER
27	THREAD SEAL

*** ONLY PARTS WITH A "PART ORDER NUMBER" ARE AVAILABLE FOR SALE.**

DO NOT COPY OR DISTRIBUTE THIS MATERIAL WITHOUT PERMISSION OF AFF, INC.