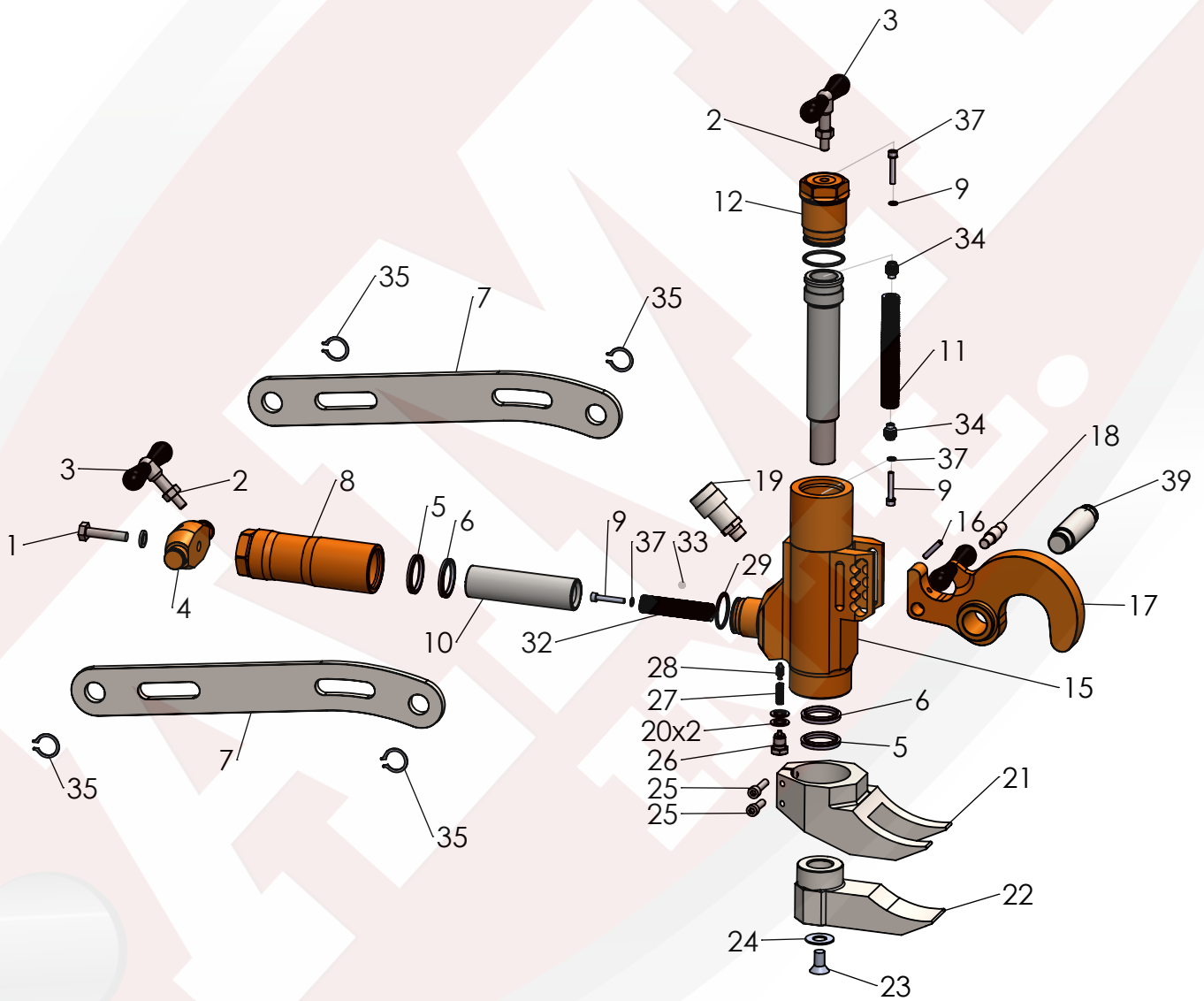




PARTS BREAKDOWN

Parts List For Diamondback Aluminum Tire Bead Breaker Model 11076





PARTS BREAKDOWN

Parts List For Diamondback Aluminum Tire Bead Breaker Model 11076

ITEM	PART #	Stock #	Description	Qty
1	11075-001	71412321	BOLT	1
2	11075-002	71412322	NUT	2
3	11075-003	71411177	HANDLE	2
4	11075-004	71412323	BASE, CONNECTING ROD	1
5	11075-005	*	RING,SEAL	2
6	11075-006	*	RING,SEAL	2
7	11075-007	71412264	ROD CONNECTOR	2
8	11075-008	71412324	HOUSING,CLAMP CYL	1
9	11075-009	71412265	SCREW	3
10	11075-010	71412325	ROD,CLAMP CYL	1
11	11075-011	71412266	SPRING- SEE #34	1
12	11075-012	71412326	HEAD, BREAKER CYL	1
13	11075-013	*	SEAL	1
14	11075-014	71412327	ROD, BREAKER CYL	1
15	11075-015	71412328	BODY	1
16	11075-016	71412329	SCREW	1
17	11075-017	71412267	JAW	1
18	11075-018	71412330	PIN, JAW PIVOT	1
19	16060	71411176	COUPLER	1
20	11075-020	71411174	WASHER	2



PARTS BREAKDOWN

Parts List For Diamondback Aluminum Tire Bead Breaker Model 11076

ITEM	PART #	Stock #	Description	Qty
21	11075-021	71412268	TEETH, CLAMPING	1
22	11075-022	71412269	TONGUE	1
23	11075-023	71412270	SCREW	1
24	11075-024	71412271	WASHER	1
25	11075-025	71412331	SCREW	2
26	11075-026	71411175	PLUG	1
27	11075-027	71411173	SPRING	1
28	11075-028	71412272	BALL, SEQUENCING	1
29	11075-029	76396884	* O-RING	1
30	11075-030	71412332	WASHER	1
31	11075-031	71412333	SCREW	1
32	11075-032	71412273	SPRING- SEE #34	1
33	11075-033	71412274	BALL	1
34	11075-034	71412334	NUT- AVAILABLE ONLY W/ 11 & 32 SUB ASSY.	
35	11075-035	71412275	SNAP RING	4
36	11075-036	*	SEAL	1
37	11075-037	71412335	* METALLIC SEAL WASHER	3
38				
39	11075-039	71412277	PIN, ROD CONNECTOR	1
40	11075-040	94396604	*SEAL KIT (INCL. 5, 6, 13, 29, 36, 37, 42, 43)	1
41			LOCK WASHER	2
42			* SEAL	1
43			* BACK-UP RING	2

2347 Circuit Way, Brooksville, Florida, USA 34604
Phone: (+1) 352-799-1111 Toll Phone: (+1) 877-775-4AME (4263)
Fax: (+1) 352-799-1112 E-mail: sales@ameintl.net www.ameintl.net