

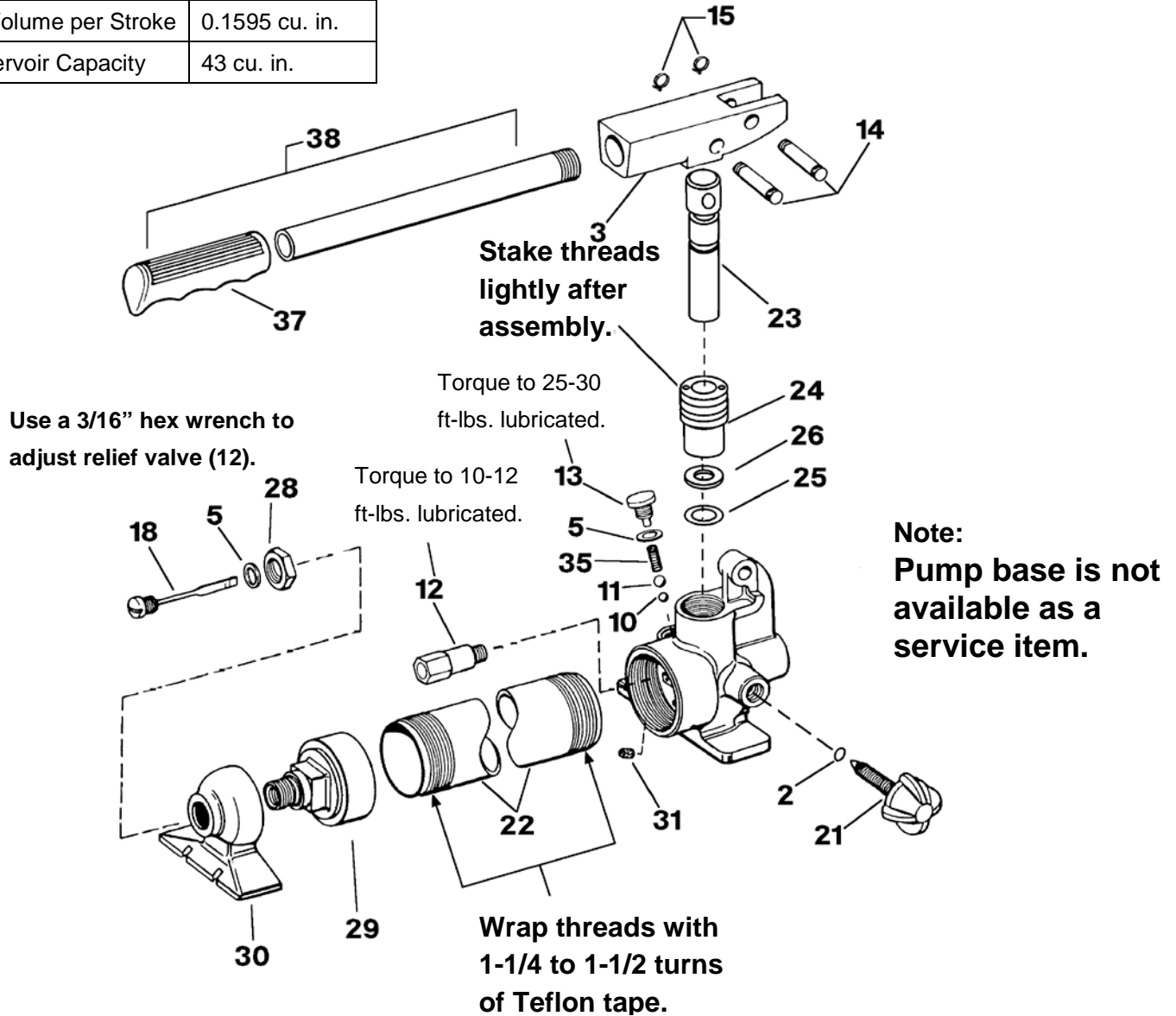


Repair Parts Sheet

Model 10508

SPECIFICATIONS

| | |
|-----------------------|-----------------|
| Operating Pressure | 10,000 psi max. |
| Relief Valve Setting | 10,000 psi |
| Oil Volume per Stroke | 0.1595 cu. in. |
| Reservoir Capacity | 43 cu. in. |



INSTALL ALL KIT COMPONENTS TO INSURE A COMPLETE AND PROPER REAIR OF THE PUMP

REPAIR PARTS LIST

| Item | Part Number | Quantity | Description | Item | Part Number | Quantity | Description |
|------|-------------|----------|--|------|-------------|----------|--|
| 2 | * | 1 | O-Ring | 23 | DA8954900SR | 1 | Piston Link Assembly |
| 3 | B113060-1 | 1 | Beam | 24 | DA6853446SR | 1 | Piston Sleeve (Inc. item 25 and 26) |
| 5 | * | 2 | Gasket | 25 | * | 1 | O-Ring |
| 10 | * | 1 | Ball | 26 | * | 1 | Teflon Back-Up Ring |
| 11 | * | 1 | Ball | 28 | P75181 | 1 | Lock Nut |
| 12 | DA8802900SR | 1 | Relief Valve Assembly | 29 | P75266-1 | 1 | Reservoir Cap |
| 13 | K3006SR | 1 | Valve Plug (Includes items 5,10, 11, and 35) | 30 | P76267-1 | 1 | Pump Rest |
| 14 | DC106061SR | 2 | Beam Pin (Inc. two of item 15) | 31 | * | 1 | Oil Strainer |
| 15 | * | 4 | Retaining Ring | 35 | * | 1 | Spring |
| 18 | B110900SR | 1 | Filler Plug (Inc. item 5) | 37 | CL343550 | 1 | Grip |
| 21 | DA8786900SR | 1 | Release Valve (Inc. item 2) | 38 | C7900SR | 1 | Handle/Grip Assembly |
| 22 | P1625 | 1 | Reservoir | | | | |

* Items included in and available only as part of Repair Kit P39K4.

