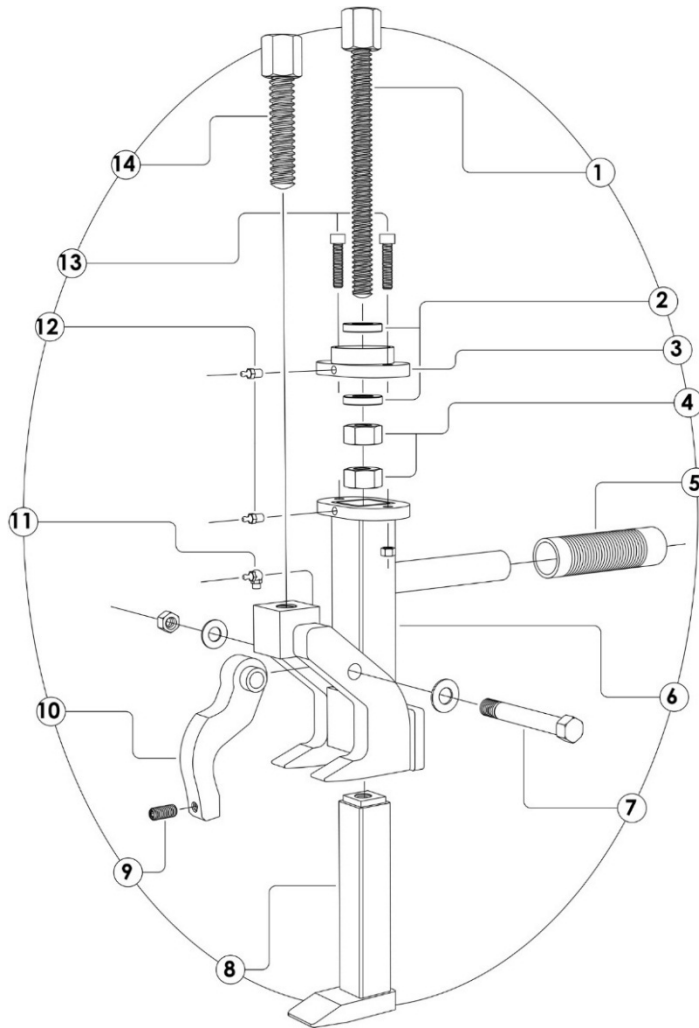




ESCO EQUIPMENT SUPPLY COMPANY

Parts Breakdown & Parts List



Part #	Description	Part #	Description
1*	Main Drive Bolt. [Part of Kit 20429-2]	8	Bead Pusher
2*	Thrust Washers (x2) [Part of Kit 20429-2]	9	3/8" set screw
3*	Top Mounting Flange for Drive Assembly [Part of Kit 20429-2]	10	Grappling Hook
4*	Locking Nuts (x2) [Part of Kit 20429-2]	11	Right Angle Grease Fitting
5	Plastic Handle	12	Strait Grease Fitting (x2)
6	Main Housing Weldment	13	Flange Mounting Bolt Assembly (x2 5/16" bolts; x2 5/16 locking nuts)
7	Pivot Bolt Assembly (x1 1/2 in. Bolt; x2 1/2 in. Flat Washers; x1 1/2 in. Locking Nut)	14	Secondary Drive Bolt for Grappling Hook

***NOTE:** Numbers 1-4 make up the Drive Assembly **KIT 20429-2** (this is assembled separate of the main body of the tool prior to its being attached.) Part #'s 1-4 are NOT available separately and ONLY come assembled in **KIT 20429-2**.

