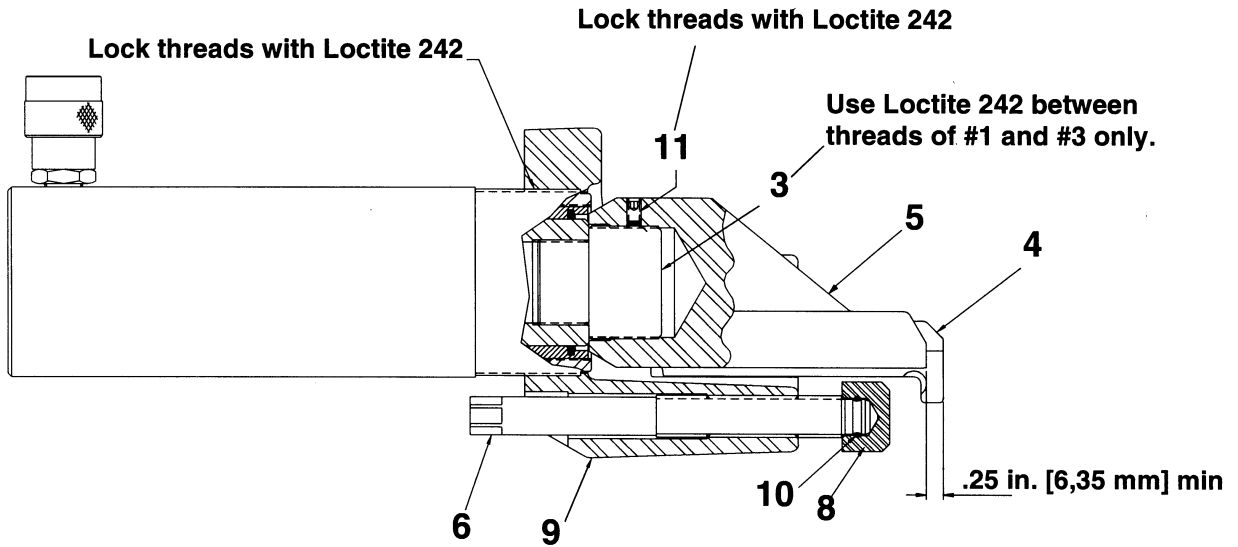




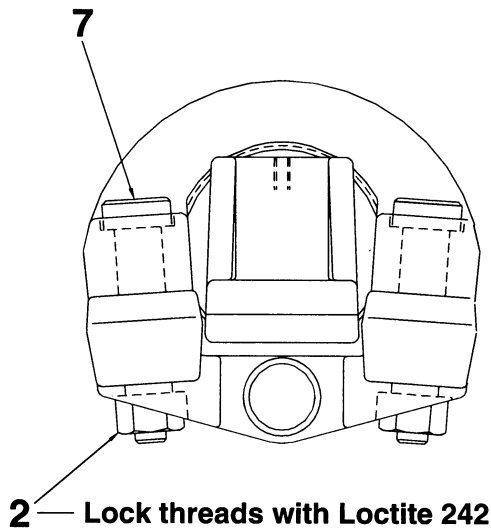
Repair Parts Sheet

10103 (OTR-2000E) BEAD BREAKER

*NOTE – Identifying feature DA Number on plunger Item #5



CAUTION
 The OTR-2000E Bead Breaker, and all tire tools, should be used only by persons properly trained according to OSHA regulation #29CFR1910.177, "Servicing Single-Piece & Multi-Piece Wheels"

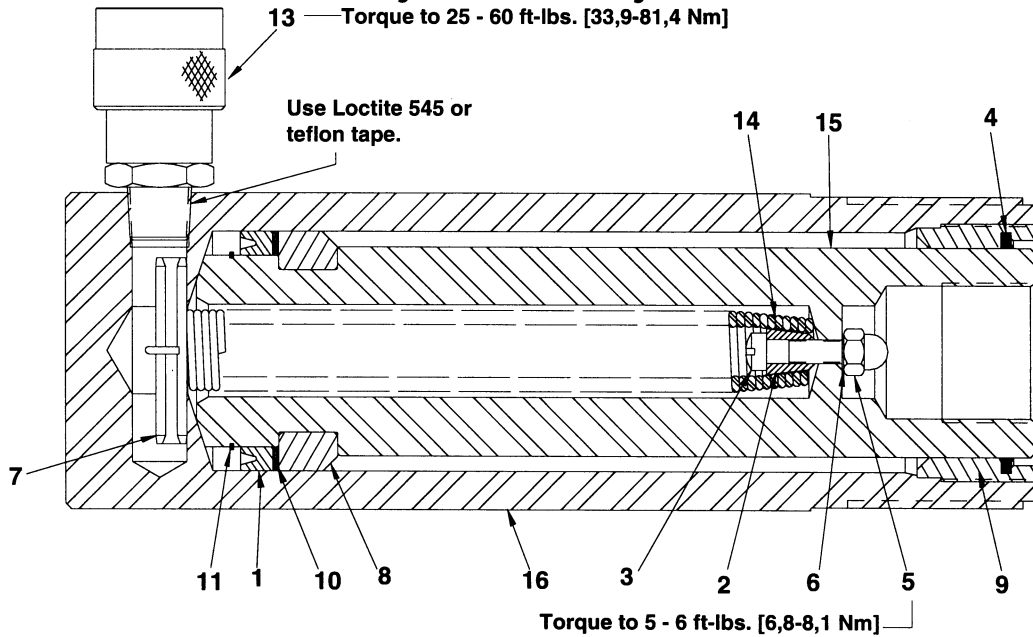


Repair Parts List

ITEM	PART NO.	QTY.	DESCRIPTION	ITEM	PART NO.	QTY.	DESCRIPTION
2	B1013122	2	Hex Nut	7	DA11799130	2	Shoulder Bolt
3	DA12376038	1	Adapter Thread	8	28705	1	Pressure Nut
4	DA11663157	2	Hook	9	DA11667038	1	Frame
5	DA11665040	1	Plunger	10	DA11816049	1	Retainer Ring
6	34184	1	Screw Set	11	DA751027	1	Set Screw



Cylinder Assembly



Repair Parts List

ITEM	PART NO.	QTY.	DESCRIPTION	ITEM	PART NO.	QTY.	DESCRIPTION
1	*CH800041	1	U-Cup	9	G89044	1	Stop Ring
2	F948209	1	Bushing	10	*G907108	1	Washer
3	B1014028	1	Screw	11	*G908044	1	Retaining Ring
4	*G731044	1	Wiper Ring	13	10606	1	Female Coupler
5	G833055	1	Nut	14	F937110	1	Spring
6	*G834167	1	Gasket	15	G897040	1	Plunger
7	B1157057	1	Pin	16	BSG894005	1	Cylinder
8	G898107	1	Bearing				

* Indicates parts available in Repair Kit RC2510K

