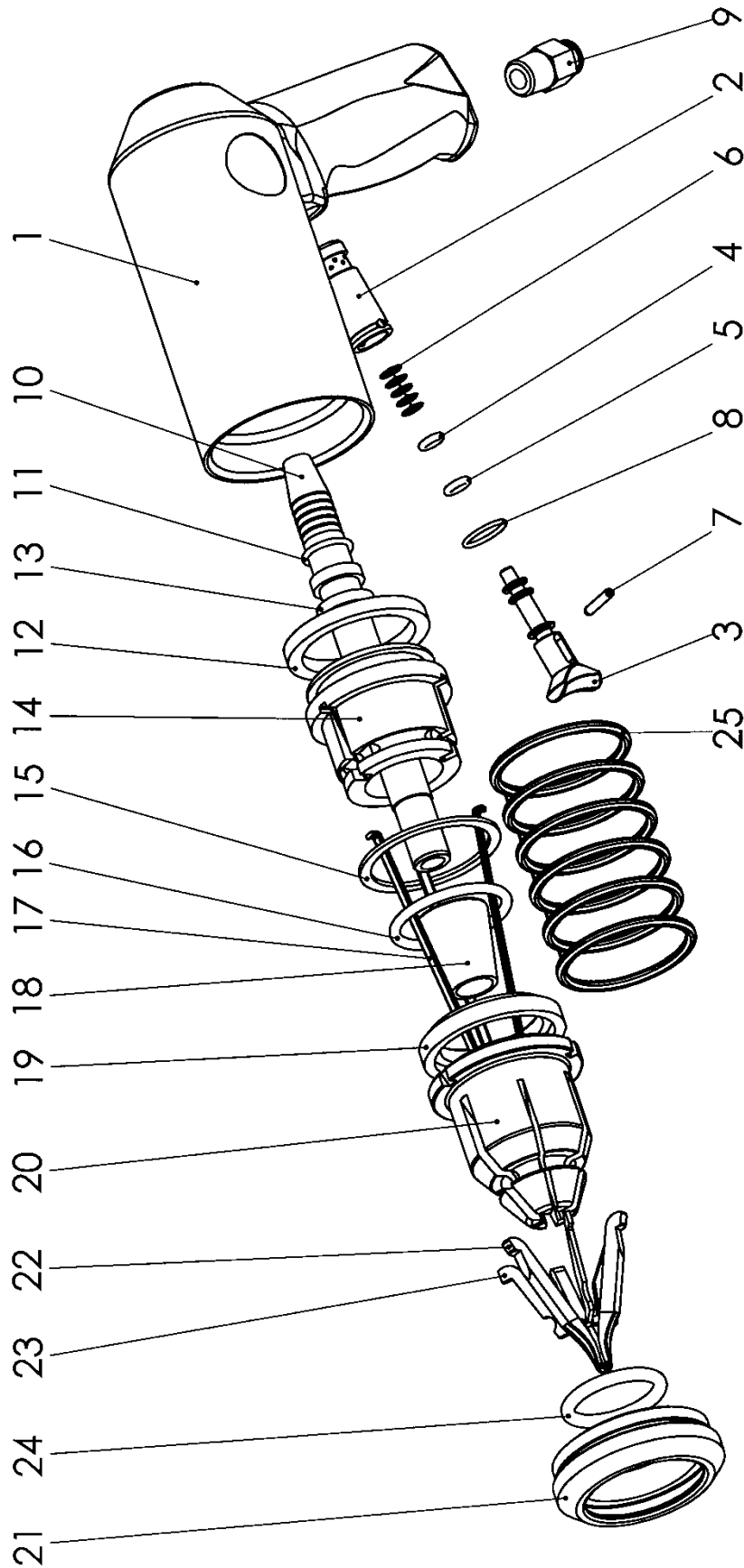


### 9.5 Exploded drawing AS-8



EN

## 9.6 Spare parts list AS-8

Item	OKU-ID.-No.	Qty	Designation
1	00570045	1	Hand grip
2	00350728	1	Bushing
3	00470092	1	Trigger for manual use
	00470093	1	Trigger for machine use
4	00003463	1	O-Ring
5	00003404	1	O-Ring
6	00350297	1	Compression spring
7	00000536	1	Dowel pin
8	00003464	1	O-Ring *
9	00031539	1	Coupling
10	00470084	1	Feeding tube 8,3
11	00003412	1	O-Ring
12	00003507	1	Lip seal
13	00003508	1	Lip seal
14	00470082	1	Piston
15	00350299	1	Washer
16	00003465	1	O-Ring *
17	00470083	3	Insertion pin *
18	00350292	1	Bushing
19	00350733	1	Spacer ring for manual use
	00350734	1	Spacer ring for machine use
20	00470088	1	Head 8
21	00350294	1	Lock nut
22	00470180	3	Special designed spreader fingers *
23	00350295	3	Separating finger
24	00417280	1	Spring lock D=21 *
25	00350298	1	Compression Spring

00885027	1	corrosion preventive-oil, aerosol can 100 ml (single) *
00885028	1	grease, tube 20 g (single) *
20015510	1	1 aerosol can corrosion preventive-oil (100 ml) and 1 tube grease (20 g) as maintenance-set

\* = included in the spare parts-set

EN



## 9.8 Spare parts list AS-9

Item	OKU-ID.-No.	Qty	Designation
1	00570045	1	Hand grip
2	00350728	1	Bushing
3	00470092	1	Trigger for manual use
	00470093	1	Trigger for machine use
4	00003463	1	O-Ring
5	00003404	1	O-Ring
6	00350297	1	Compression spring
7	00000536	1	Dowel pin
8	00003464	1	O-Ring *
9	00031539	1	Coupling
10	00470085	1	Feeding tube 8,3
11	00003412	1	O-Ring
12	00003507	1	Lip seal
13	00003508	1	Lip seal
14	00470082	1	Piston
15	00350299	1	Washer
16	00003465	1	O-Ring *
17	00470083	3	Insertion pin *
18	00350292	1	Bushing
19	00470089	1	Head 9
20	00350294	1	Lock nut
21	00485167	3	Spreader fingers *
22	00350295	3	Separating finger
23	00417280	1	Spring lock D=21 *
24	00350298	1	Compression Spring
(25)	00350732	1	Spacer ring for machine use

00885027	1	corrosion preventive-oil, aerosol can 100 ml (single) *
00885028	1	grease, tube 20 g (single) *
20015510	1	1 aerosol can corrosion preventive-oil (100 ml) and 1 tube grease (20 g) as maintenance-set

\* = included in the spare parts-set

EN