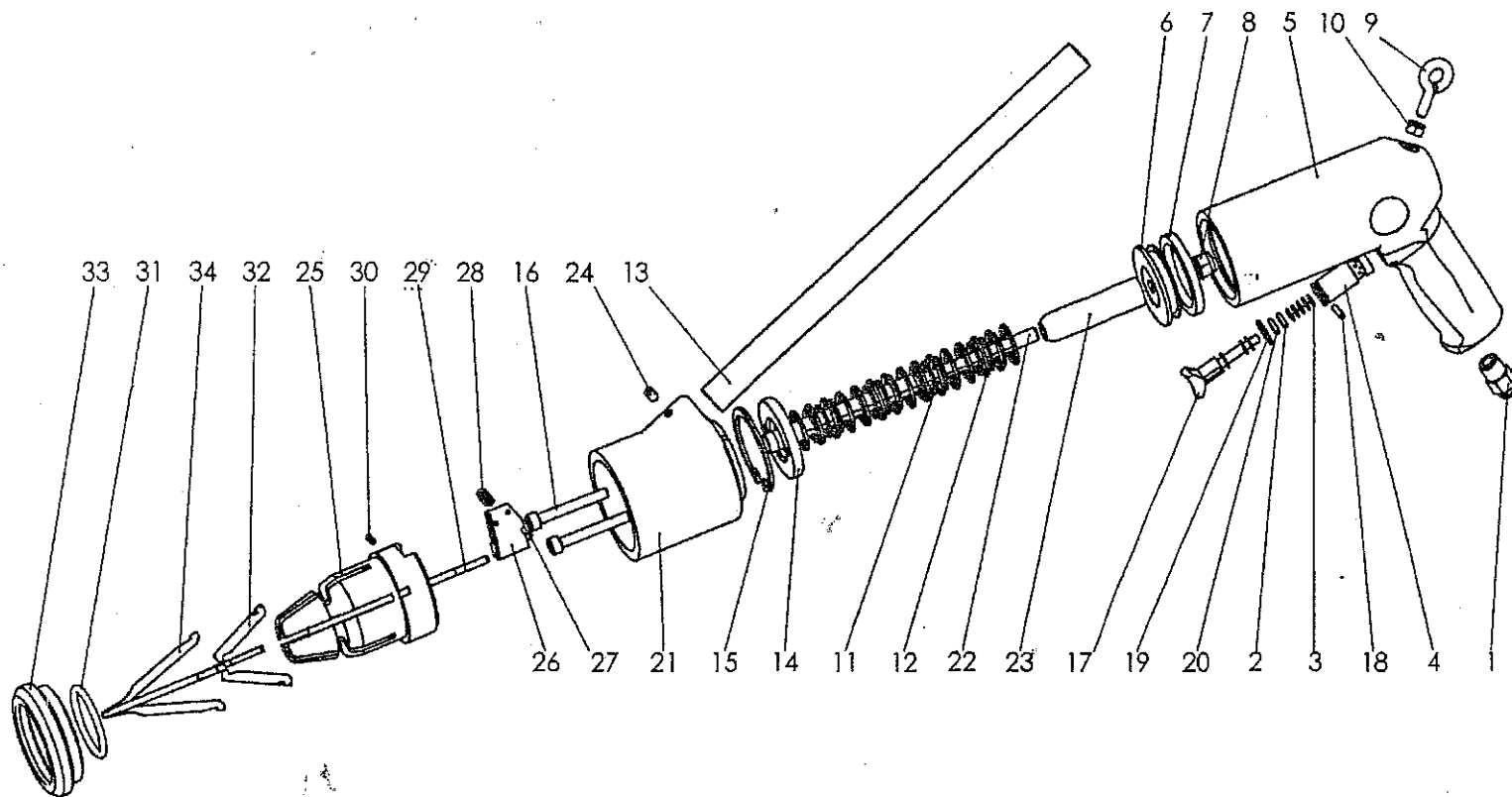


EP-15



PIÈCES STUDD GUN EP15

| Pos # | QUEMONT # | OKU # | Description & (QTY) |
|-------|-------------|--------|----------------------------------|
| # 1 | 99 | 31539 | Raccord à air / Air coupler |
| # 2 | 95SP-OR4 | 3463 | O'ring |
| # 3 | 95SP-SP8X22 | 350297 | Ressort / Spring |
| # 4 | 99 | 350728 | Goupille / Trigger saddle |
| # 5 | 99 | 470942 | Poignée / Handle |
| # 6 | 99 | 350664 | Disque de piston / Piston disk |
| # 7 | 95SP-N40-17 | 3507 | 'U"cup |
| # 8 | 99 | 4082 | Écrou / bolt |
| # 9 | 99 | 613 | Crochet / hanger |
| # 10 | 99 | 627 | Écrou / Bolt |
| # 11 | 95SP-SP19 | 350670 | Ressort (petit) / Spring(small) |
| # 12 | 95SP-SP24 | 350669 | Ressort (grand) / Spring (large) |
| # 13 | 95SP-EP507 | 350659 | Tube |
| # 14 | 95SP-EP105 | 350666 | Anneau de retenue / Plate |
| # 15 | 95SP-EP301 | 796 | Barrure / Circlip |
| # 16 | 99 | 4099 | Vis / Screw |
| # 17 | 95SP-EP307 | 470092 | Gachette / Trigger |
| # 18 | 95SP-EP305 | 536 | Pin |
| # 19 | 95SP-OR12 | 3564 | O'ring |
| # 20 | 95SP-OR5 | 3404 | O'ring |
| # 21 | 99 | 470238 | Cylindre central / Central body |
| # 22 | 95SP-EP504 | 250049 | Piston / Push rod |
| # 23 | 99 | 350710 | Adaptateur / Sleeve |
| # 24 | 99 | 300 | Vis / Screw |
| # 25 | 99 | 470222 | Tête / Head |
| # 26 | 95SP-EP512 | 350991 | Séparateur / Metering flap |
| # 27 | 95SP-EP514K | 403147 | Pin |
| # 28 | | 350665 | Ressort / Spring |
| # 29 | 99 | 350806 | Tige / Dowel pin |
| # 30 | 99 | 4083 | Ressort tige / Spring dowel pin |
| # 31 | 95SP-OR15 | 3467 | O'ring |
| # 32 | 95SP-EP511 | 353731 | Doigt intérieur / Inside finger |
| # 33 | 99 | 350923 | Anneau tête / Head ring screw |
| # 34 | 95SP-EP510 | 470946 | Doigt extérieur / Outside finger |