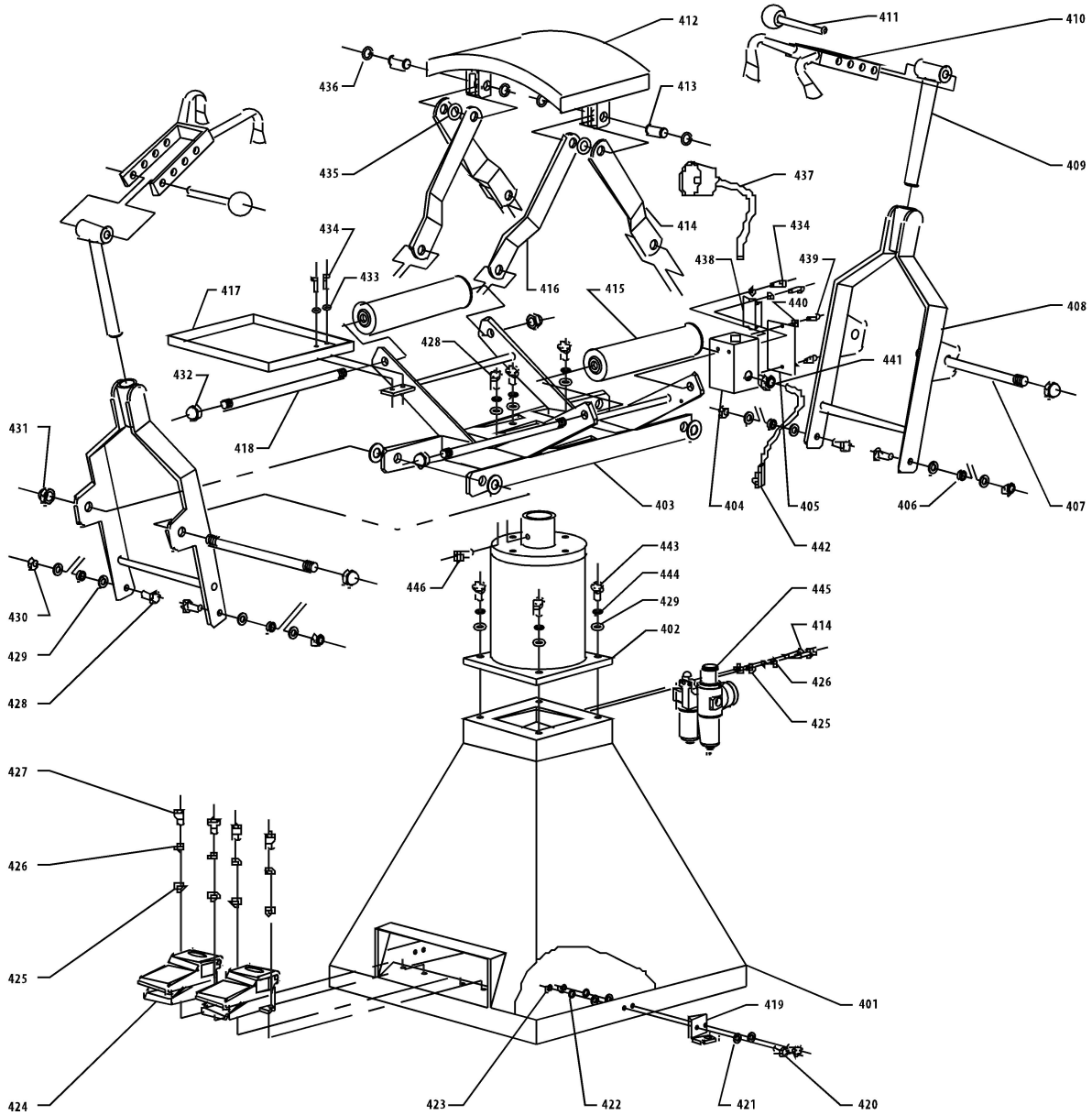
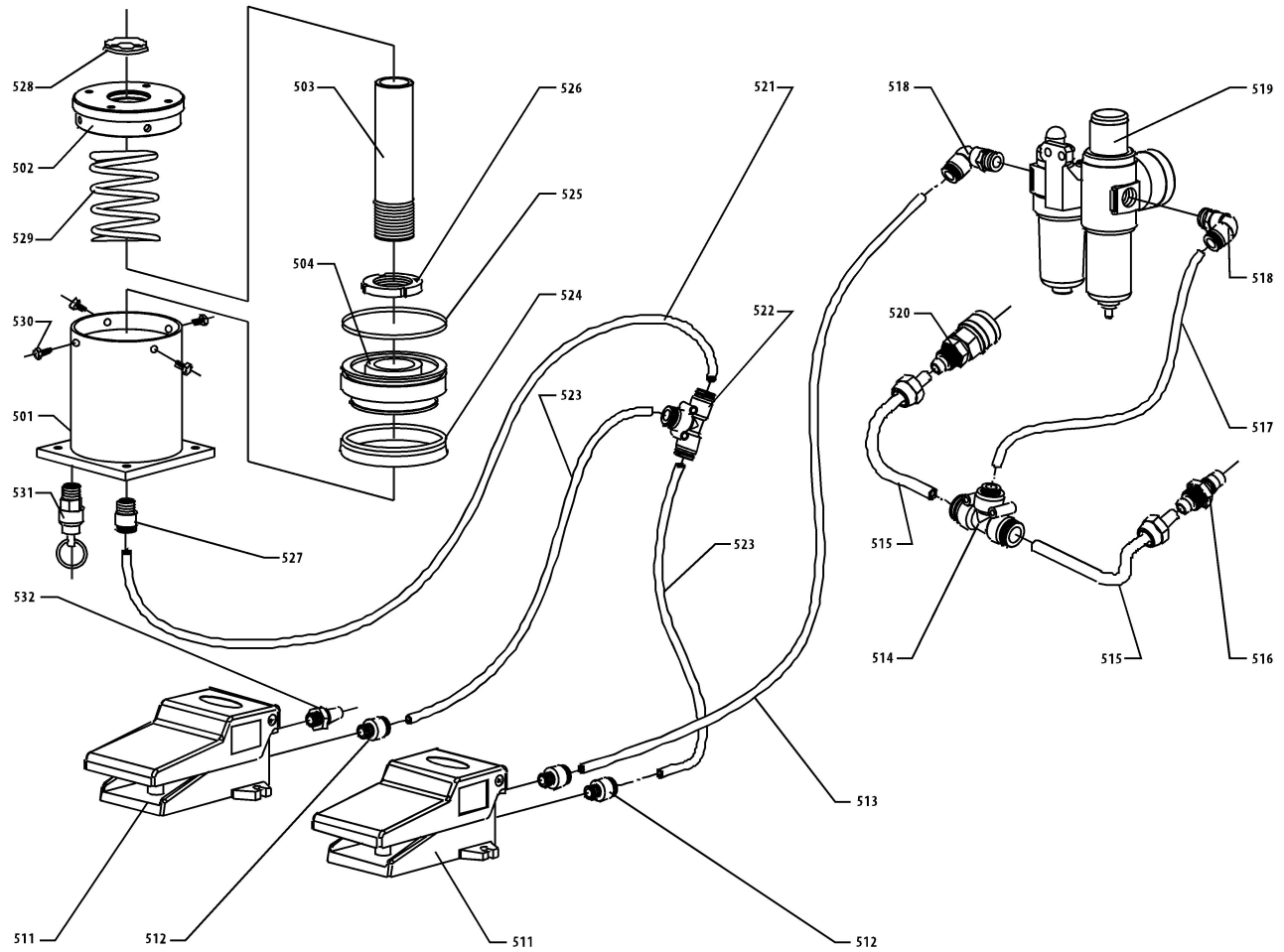


# Body Assembly



# Pneumatics Assembly



AME	NO	DESCRIPTION	QUANTITY
73100	401	Main Body	1
73100	402	Cylinder	1
73100	403	Bracket	1
73100	404	Power box	1
73100	405	Box cover	1
73100	406	sheath	4
73100	407	Staff 1	2
73100	408	Waver rack	2
73100	409	Shaft	2
73100	410	Spread hook	2
73100	411	Align pin	2
73100	412	Coping	1
73100	413	Coping shaft	2
73100	414	Connect board 2	2
73100	415	Bracket unite element	2
73100	416	Connect board 1	2
73100	417	Tool salver	1
73100	418	Staff 2	2
73100	419	Corner angle iron	2
73100	420	Hexangular bolt M6X16	4
73100	421	Even gasket 6	8
73100	422	Spring gasket 6	4
73100	423	Hexangular nut M6	4
73100	424	Step valve	2
73100	425	Big even gasket 5	2
73100	426	Spring gasket 5	6
73100	427	Column hexangular bolt M5X16	8
73100	428	Hexangular bolt M10X25	8
73100	429	Even gasket 10	8
73100	430	Cease nut M10	16
73100	431	Cover nut M16	4
73100	432	Hexangular nut M5	4
73100	433	Even gasket 5	2
73100	434	Cover nut M14	4
73100	435	Even gasket 16	6
73100	436	Shaft pring block ring16	4
73100	437	Working light	1
73100	438	Column hexangular bolt M5X10	2
73100	439	Crossed setboltM4X8	2
73100	440	Transformer	1
73100	441	Even gasket 4	2
73100	442	Across line	1
73100	443	Power line	1
73100	444	Hexangular bolt M10X30	4
73100	445	Column hexangular bolt M8X16	1
73100	446	Spring gasket 10	8
73100	447	Oil-water separator	1

AME	NO	DESCRIPTION	QUANTITY
73100	501	Cylinder	1
73100	502	Cylinder cover	1
73100	503	Piston staff	1
73100	504	Piston	1
73100	511	Step valve	2
73100	512	Direct tie-in	3
73100	513	PU pipe	2
73100	514	red-tee	1
73100	515	PU pipe	2
73100	516	Metal speediness tie-in	1
73100	517	PU pipe	1
73100	518	Right angle tie-in	2
73100	519	Oil-water separator	1
73100	520	Metal speediness tie-in	1
73100	521	PU pipe	1
73100	522	Straight tee	1
73100	523	PU pipe	1
73100	526	PU pipe	1
73100	527	PU pipe	1
73100	528	Y- windtight ring	1
73100	529	O- windtight ring	1
73100	530	Circinal nut M56X2	1
73100	531	Dustproof ring	1
73100	532	constringent spring	1
73100	533	Hexangular bolt M10X16	4
73100	534	Safety valve	1
73100	535	Silencer	1