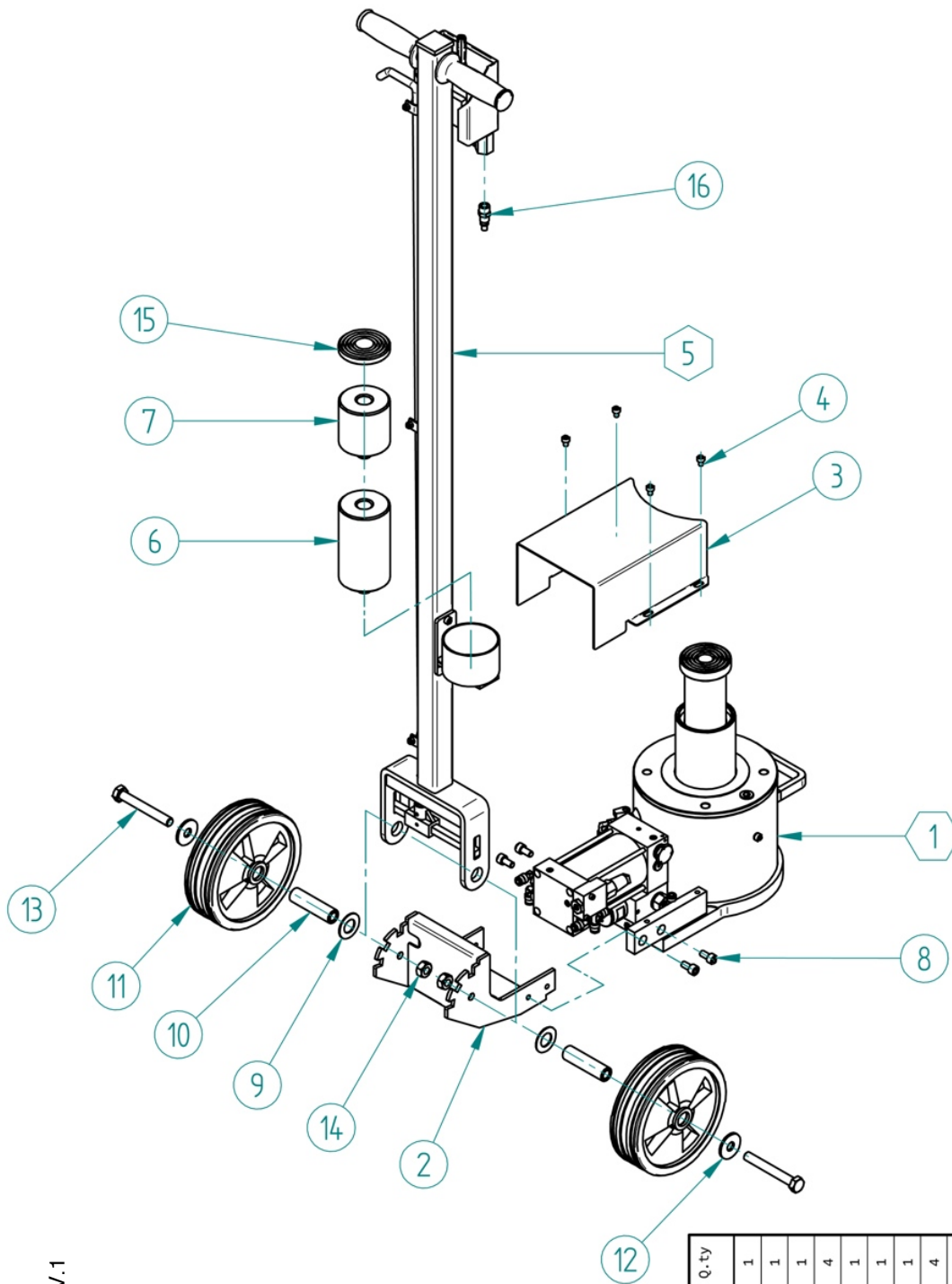


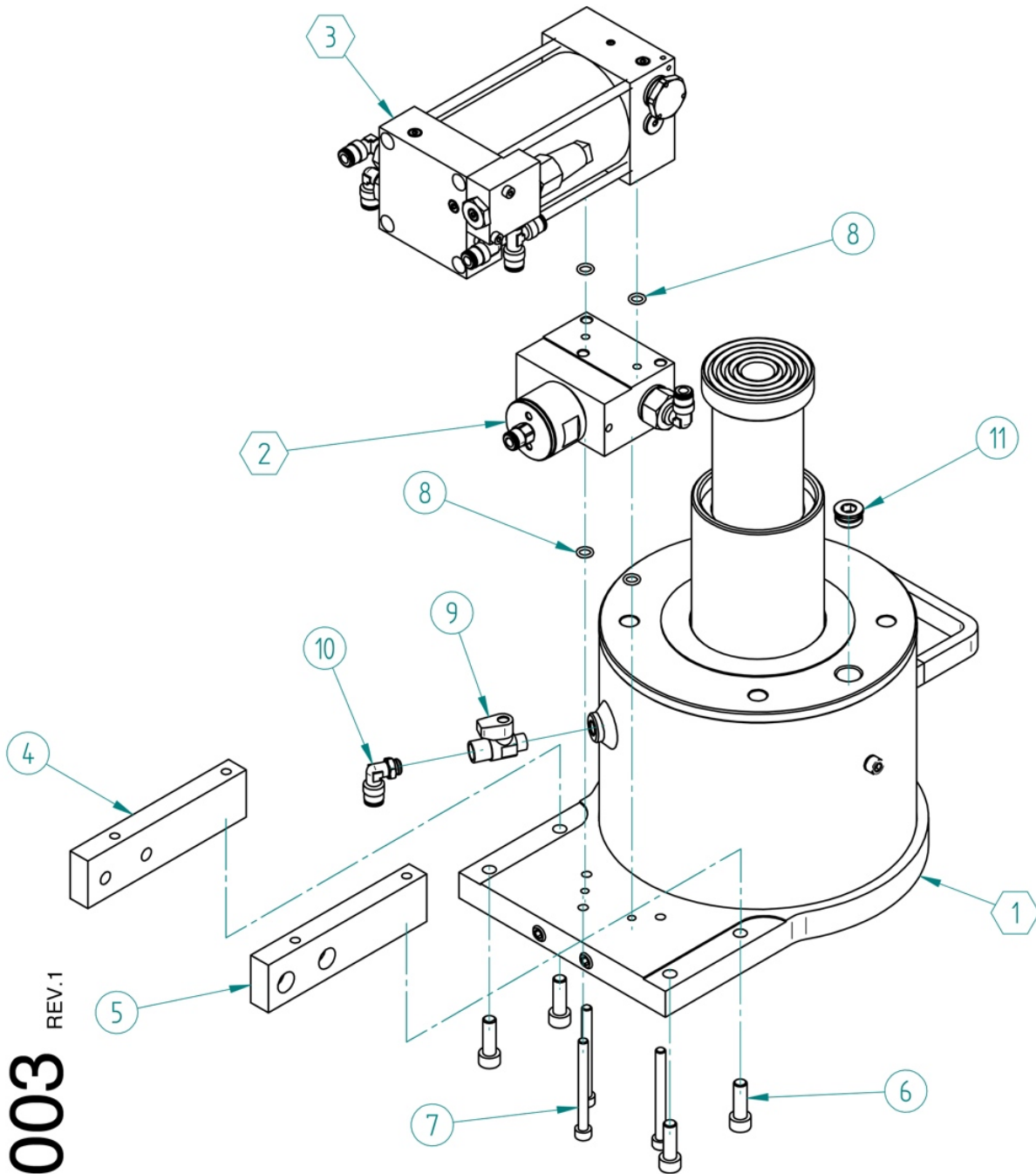
TAV 1



Item N.	Code	Old Code	Q. ty
1	GRPISOL-10003	0921	1
2	PSITELAI-F10001	1078	1
3	PSICARTE-F10001	1089	1
4	VI0A1FM006X0108-01	1401	4
5	GRPIGRM-10001	0945	1
6	PS1PROLU-F10001	0117	1
7	PS1PROLU-F10002	0116	1
8	VI0A1FM008X0168-01	0302	4
9	RO0R1XM020X037Z-01	0304	2
10	PS1MOZZO-F10001	1083	2
11	RT0GOMF1700020000600N-01	0376	2
12	RO0R1XM012X036Z-01	1295	2
13	VI0A2FM012X0908-01	1289	2
14	DA001XM012X000Z-01	1296	2
15	PS1PIATT-F10001	0115	1
16	RB00F00G1-4AM9N-01	0433	1

YAK217/N REV.1

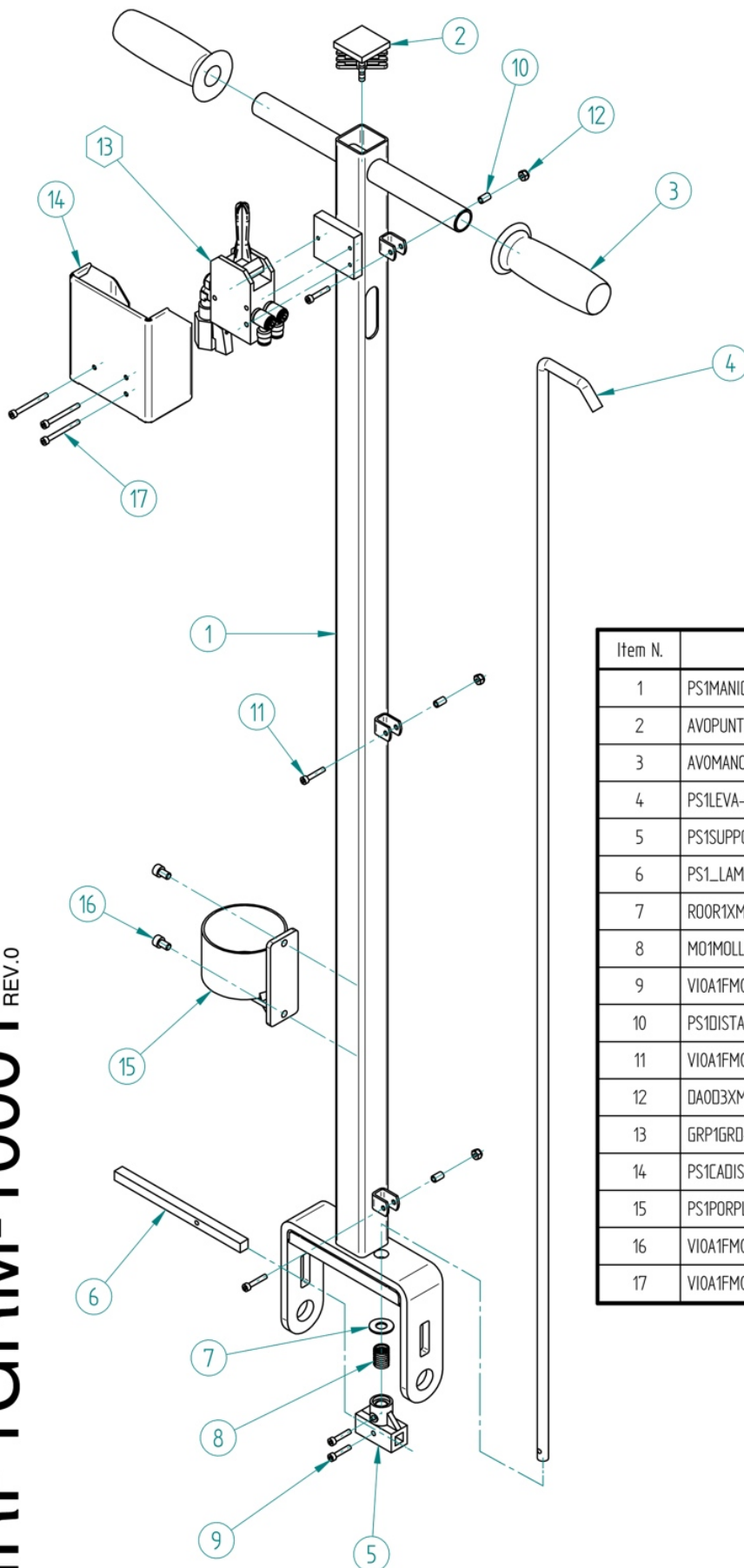
TAV 2



GRP1SOL-10003 REV.1

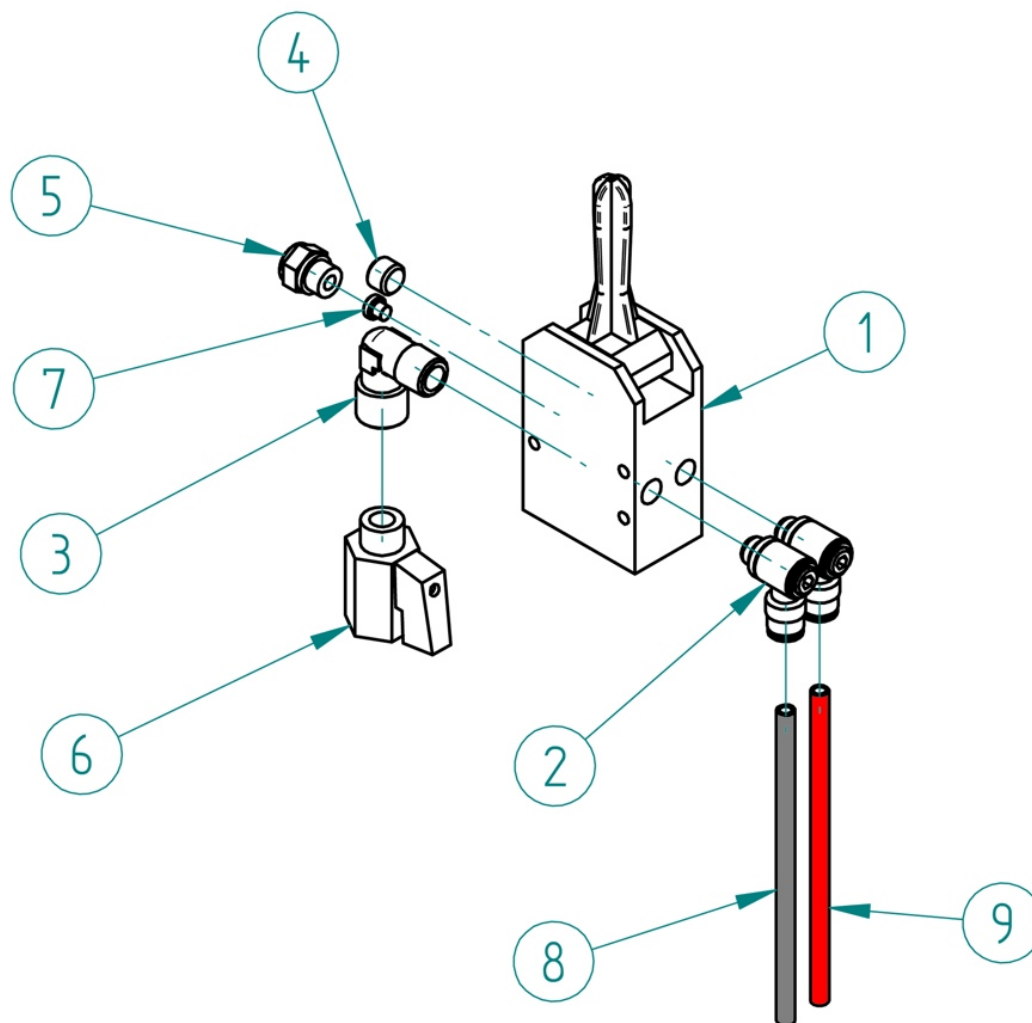
Item N.	Code	Old Code	Q.ty
1	GRP1GCI-10018	1057	1
2	GRP1GBL-10001	1052	1
3	GRP1GMP-10018	N.C.	1
4	PS1_LAMA-F10002	1019	1
5	PS1_LAMA-F10003	1022	1
6	VI0A1FM008X025B-01	1121	4
7	VI0A1GM006X065B-01	N.C.	3
8	OR0N700675-0178-00106	0090	4
9	VS00F00G1-8AX99N-01	0843	1
10	RB00R06G1-8BM03T-01	0750	1
11	TA00F00G3-8BM990-01	0795	1

TAV 3



Item N.	Code	Old Code	Q.ty
1	PS1MANIC-F10001	1098	1
2	AVOPUNT-10001	0385	1
3	AVOMANO-10001	0333	2
4	PS1LEVA-F10001	1092	1
5	PS1SUPPO-F10001	1067	1
6	PS1_LAMA-F10001	1068	1
7	R00R1XM010X022Z-01	1254	1
8	M01MOLLA-10007	1293	1
9	VIOA1FM004X020B-01	0386	2
10	PS1DISTA-F10001	0299	3
11	VIOA1FM004X022Z-01	N.C.	3
12	DA003XM004X000Z-01	0831	3
13	GRP1GRD-10001	KD0945	1
14	PS1CADIS-F10001,psm	1314	1
15	PS1PORPL-F10001	1400	1
16	VIOA1FM006X010B-01	1401	2
17	VIOA1FM004X040B-01	0380	3

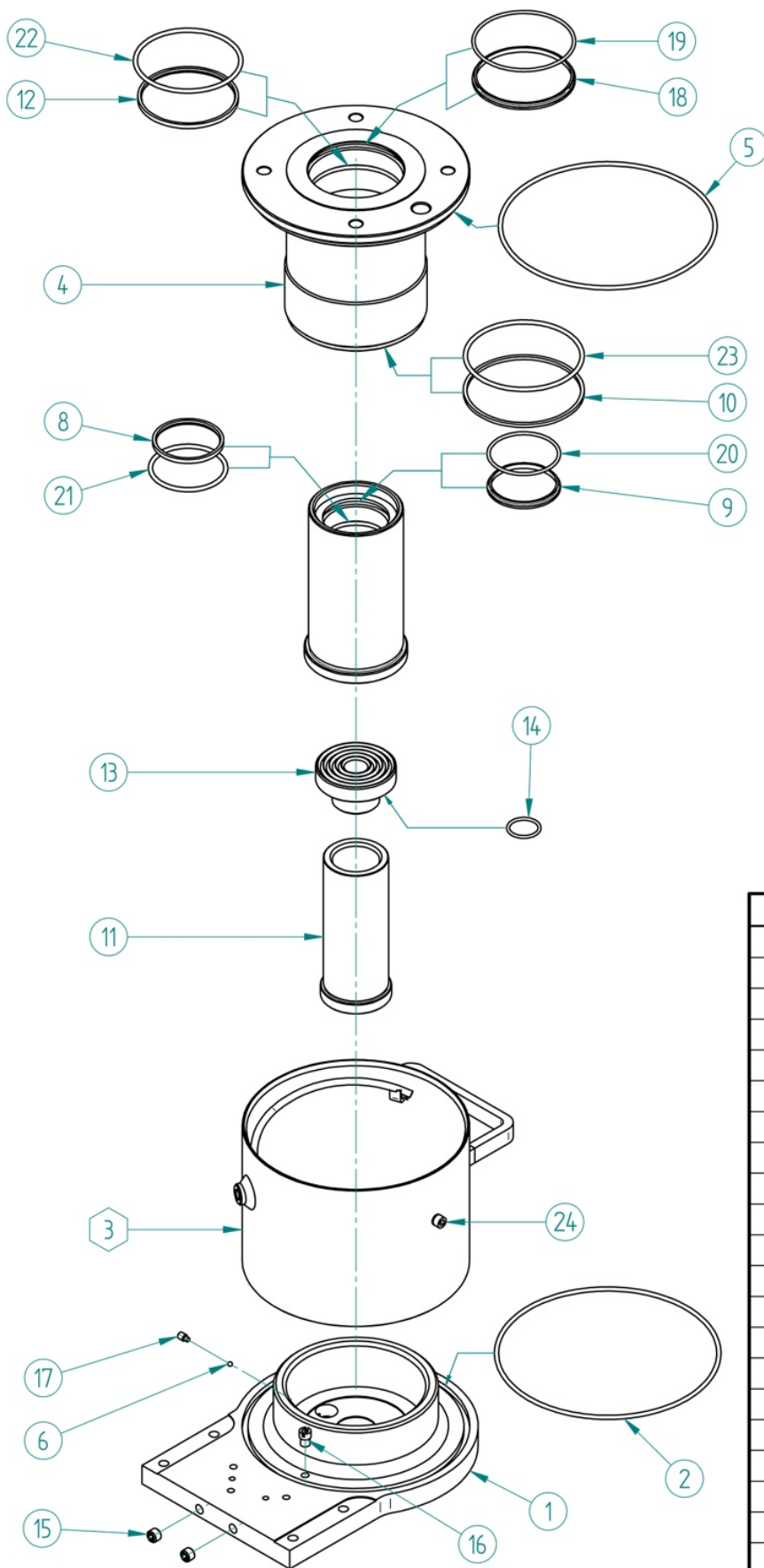
GRP1GRM-10001 REV.0



GRP1GRD-10001 REV.0

Item N.	Code	Old Code	Q.ty
1	VP1M5LG1-4F-01	0378	1
2	RB00R06G1-8BM030-01	0389	2
3	RB00F00G1-4AX02N-01	0314	1
4	GR0TCXG018X978B-01	0107	1
5	AV0SILE-10002	0420	1
6	VS00F00G1-4AX99N-01	0398	1
7	TA00F00M005BM990-01	0726	1
8	PS1TRILS-F10004	N.C.	1
9	PS1TRILS-F10005	N.C.	1

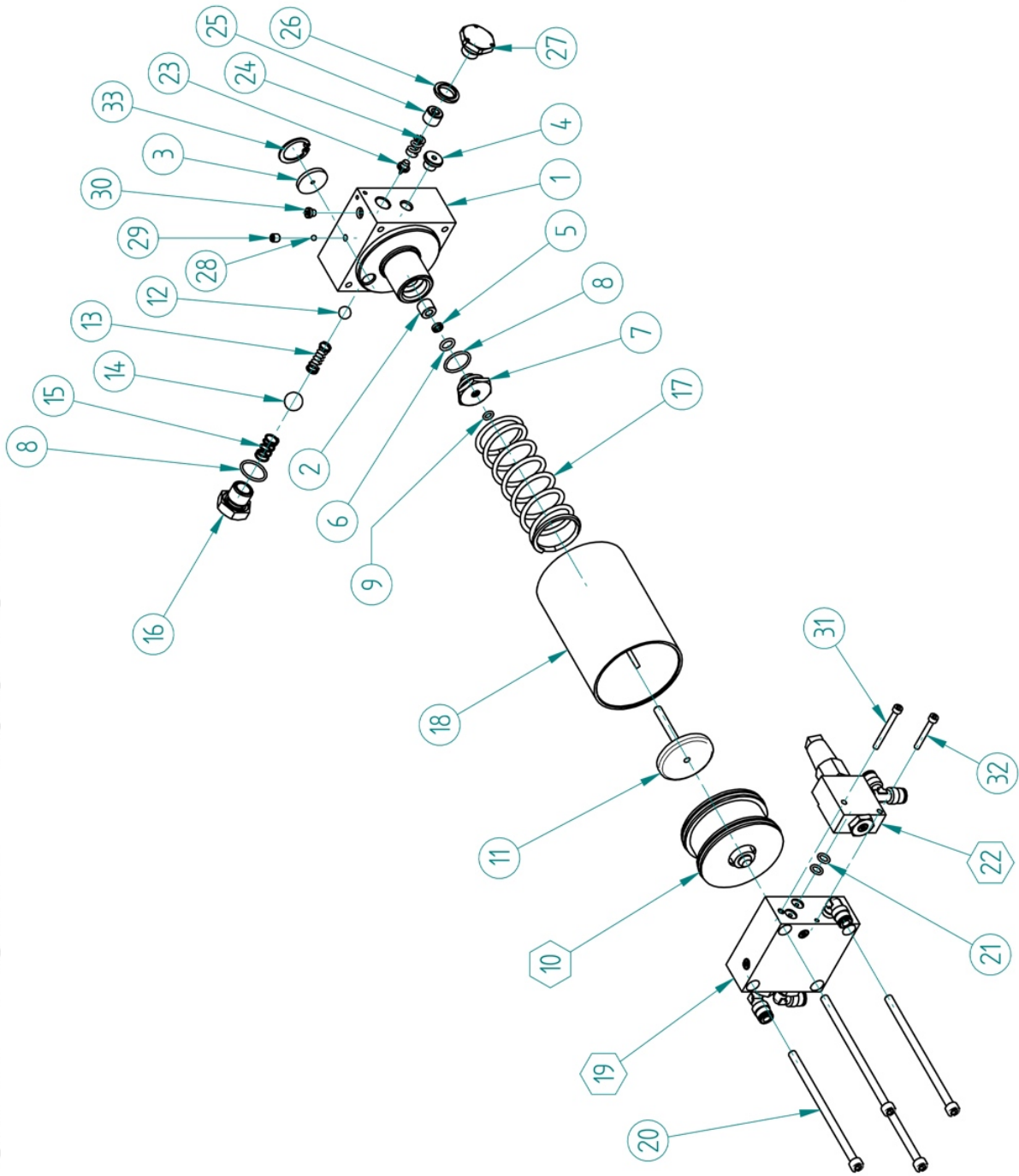
TAV 5



GRP1GCI-10018 REV.1

Item N.	Code	Old Code	Qty
1	PP1BASAM-10001	1018	1
2	ORON718374-0653-04725	1017	1
3	GRP1GRS-10002	0927	1
4	PP1CLOIL-10026	1031	1
5	ORON717739-0353-04700	1025	1
6	SF0A5003969-0532A-01	0085	1
7	PP1PISTO-10057	1032	1
8	TC006L0550-OR-01	1020	1
9	RS006N0550-OR-01	1021	1
10	TS1NNX1020-OR-01	1527	1
11	PP1PISTO-10058	1033	1
12	TC006L0800-OR-01	1024	1
13	PP1PIATT-10001	0783	1
14	ORON702381-0262-00132	0075	1
15	GROTCXG018X978B-01	0107	2
16	PS1NIPLE-F10001	0844	1
17	GROG14M006X010B-01	0541	1
18	RS006L0800-OR-01	1023	1
19	ORON708222-0262-03325	N.C.	1
20	ORON705682-0262-03225	0927	1
21	ORON705992-0353-04237	N.C.	1
22	ORON708532-0353-04337	2165	1
23	ORON709484-0353-04375	1528	1
24	VIOA1FM006X010B-01	1401	1

GRP1GMP-10018 REV.1



TAV 6

Item N.	Code	Old Code	Q. ty
1	PP1CPPOM-10011	N.C.	1
2	PS1GUIDA-F10007	2087	1
3	AV1FILT-10002	0719	1
4	TA00F00G1-8BM990-01	2348	1
5	TC0PEN0060-OR-01	2088	1
6	OR0N700850-0200-0000	N.C.	1
7	PS1_DADO-F10005	2086	1
8	OR0N701877-0178-02075	0709	2
9	OR0N700528-0178-02021	0111	1
10	GRP1GP1-10003	N.C.	1
11	NS1POMTE-10002	2089	1
12	SF0A5009525-0038A-01	0040	1
13	MO1MOLLA-10004	0041	1
14	SF0A5014288-0916A-01	0521	1
15	MO1MOLLA-10006	0077	1
16	PS1TAPPO-F10019	0518	1
17	MO1MOLLA-10008	0706	1
18	PP1CLAIR-10001	0704	1
19	GRP1GTE-10005	N.C.	1
20	VI0A1FM006X120Z-01	0703	4
21	OR0N700675-0178-00106	0090	2
22	GRP1GDE-10008	N.C.	1
23	PS1VALVO-F10004	0050	1
24	MO1MOLLA-10009	0051	1
25	PS1_VITE-F10001	0052	1
26	RO0R9XG014X000N-01	0095	1
27	PS1TAPPO-F10014	1112	1
28	SF0A5003969-0532A-01	0085	1
29	GROG24M006X006B-01	0013	1
30	TA00F00M005BM990-01	0726	1
31	VI0A1FM004X040B-01	0380	1
32	VI0A1FM004X030B-01	1290	1
33	AE0ASI0250-01	N.C.	1

TAV 7

GRP1GBL-10001

REV. 1

Item N.	Code	Old Code	Qty
1	PPICPVAL-10001	1011	1
2	RDR9XG038X000N-01	0033	1
3	PSIVALVO-F10002	0088	1
4	PSIPISTO-F10004 0089	0089	1
5	ORON700675-0178-00106	0090	4
6	RBDR0651-4AM02T-01	0716	1
7	SFO5009525-0038A-01	0040	1
8	MOIMOLLA-10005	0108	1
9	RDR9XG014X000N-01	0095	1
10	PSITAPPO-F10001	1012	1
11	SFO5003969-0532A-01	0085	2
12	GR0524M006X006B-01	0013	2
13	RDR00MM022X028N-01	0092	1
14	PSIVALVO-F10003	0265	1
15	ORON701310-0262-00117	0065	1
16	PSISPILL-F10001	0083	1
17	AEDA110032-01	0094	1
18	MOIMOLLA-10002	0084	1
19	PSIPSP1-F10001	0091	1
20	PSIPISTO-F10002	0264	1
21	PSIPISTO-F10001	0080	1
22	DAOCTXM005X000Z-01	0078	1
23	ORON702340-0353-04093	0026	2
24	PSITAPPO-F10002	0263	1
25	ORON702824-0262-03112	0063	1
26	MOIMOLLA-10006	0077	1
27	RBDR0651-88M010-01	0140	1

