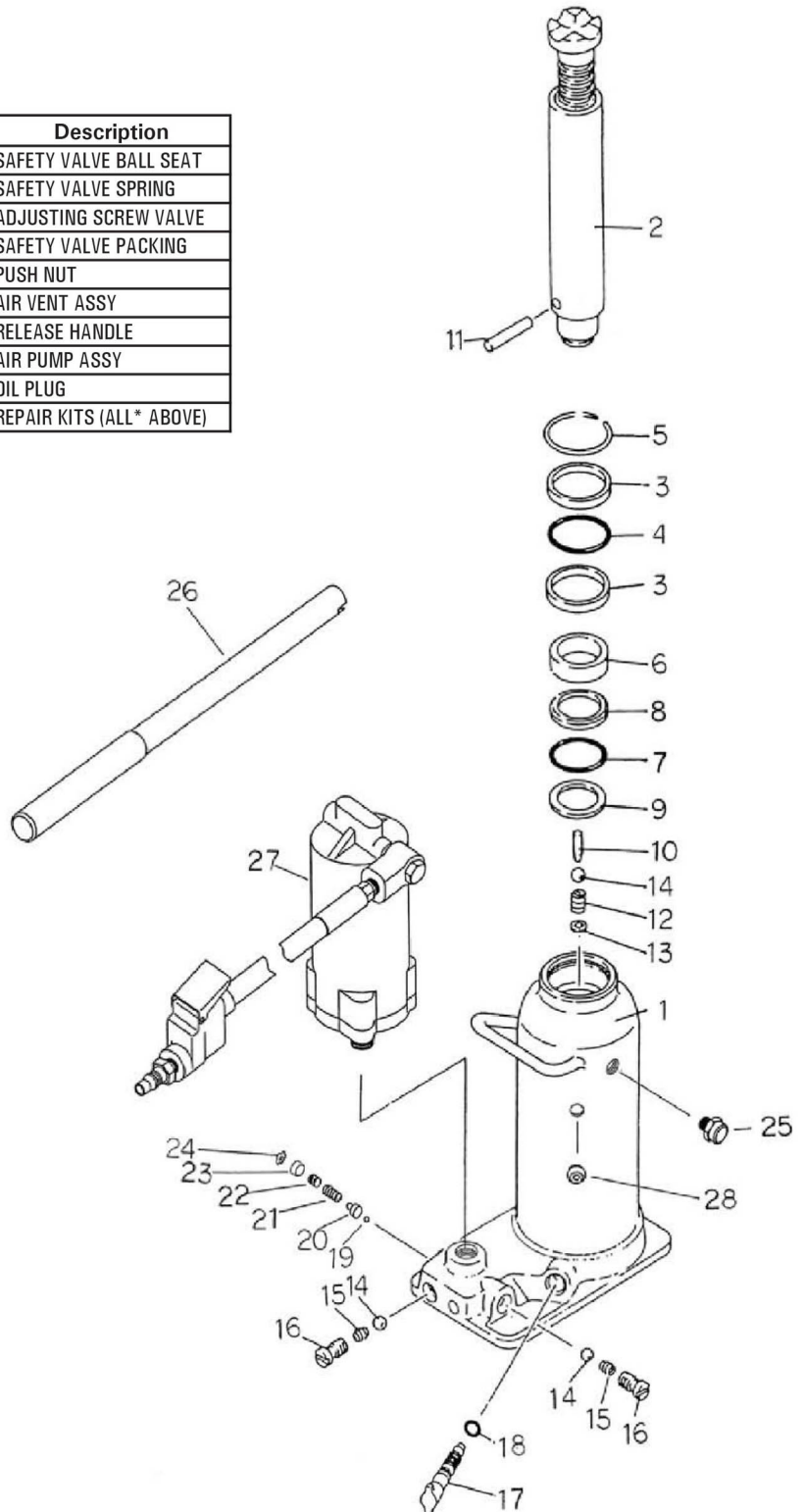


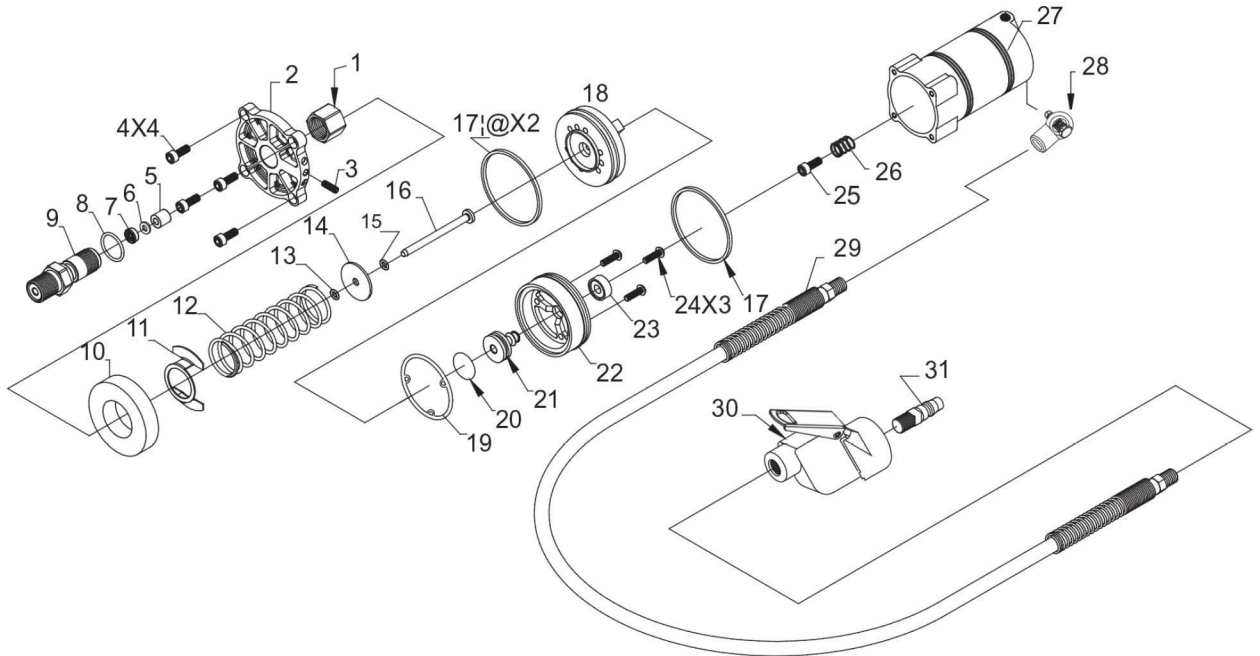
## Jack Assembly

| No. | Description         |
|-----|---------------------|
| 1   | BODY ASSY           |
| 2   | RAM ASSY            |
| 3   | *STUFFING RING      |
| 4   | *CYLINDER PACKING   |
| 5   | SNAP RING           |
| 6   | *RAM PACKING SEAT   |
| 7   | *RAM BACKUP RING    |
| 8   | *RAM PACKING        |
| 9   | RAM PACKING STOPPER |
| 10  | VERTICAL PIN        |
| 11  | HORIZONTAL PIN      |
| 12  | RAM SPRING          |
| 13  | RAM SPRING STOPPER  |
| 14  | VALVE BALL          |
| 15  | VALVE SPRING        |
| 16  | VALVE PLUG          |
| 17  | RELEASE STEM        |
| 18  | *RELEASE PACKING    |
| 19  | SAFETY VALVE BALL   |

| No. | Description              |
|-----|--------------------------|
| 20  | SAFETY VALVE BALL SEAT   |
| 21  | SAFETY VALVE SPRING      |
| 22  | ADJUSTING SCREW VALVE    |
| 23  | SAFETY VALVE PACKING     |
| 24  | PUSH NUT                 |
| 25  | AIR VENT ASSY            |
| 26  | RELEASE HANDLE           |
| 27  | AIR PUMP ASSY            |
| 28  | OIL PLUG                 |
| RP  | REPAIR KITS (ALL* ABOVE) |



## Utility Air Pump



### PUMP UNIT

| No. | Part #        | Description    |
|-----|---------------|----------------|
| 1   | 9060667 - 1   | NUT            |
| 2   | 9060667 - 2   | BOTTOM CAP     |
| 3   | 9060667 - 3   | ADJUST PIN     |
| 4   | 9060667 - 4   | CAP SCREW      |
| 5   | 9060667 - 5   | *SEAL RING     |
| 6   | 9060667 - 6   | *BACKUP RING   |
| 7   | 9060667 - 7   | *U-CUP RING    |
| 8   | 9060667 - 8   | *O-RING        |
| 9   | 9060667 - 9PA | CYLINDER BOLT  |
| 10  | 9060667 - 10  | *SILENCER      |
| 11  | 9060667 - 11  | U STYLE GASKET |
| 12  | 9060667 - 12  | SPRING         |
| 13  | 9060667 - 13  | *CUSHION       |
| 14  | 9060667 - 14  | PISTON PLATE   |
| 15  | 9060667 - 15  | *O-RING        |
| 16  | 9060667 - 16  | PISTON ROD     |

| No. | Part #        | Description           |
|-----|---------------|-----------------------|
| 17  | 9060667 - 17  | *O-RING               |
| 18  | 9060667 - 18  | PISTON B              |
| 19  | 9060667 - 19  | *PACKING              |
| 20  | 9060667 - 20  | *O-RING               |
| 21  | 9060667 - 21  | VALVE                 |
| 22  | 9060667 - 22  | PISTON A              |
| 23  | 9060667 - 23  | *PILOT PISTON CUSHION |
| 24  | 9060667 - 24  | SCREW                 |
| 25  | 9060667 - 26  | HEX SCREW             |
| 26  | 9060667 - 27  | SPRING                |
| 27  | 9060667 - 28S | CYLINDER SET          |
| 28  | 9060667 - 30S | AIR HOSE SWIVEL KITS  |
| 29  | 9060667 - 34  | AIR HOSE              |
| 30  | 9060667 - 35S | AIR SWITCH SET        |
| 31  | 9060667 - 38  | QUICK COUPLER         |
| 32  | 9060667 - RP  | REPAIR KITS (ALL *)   |