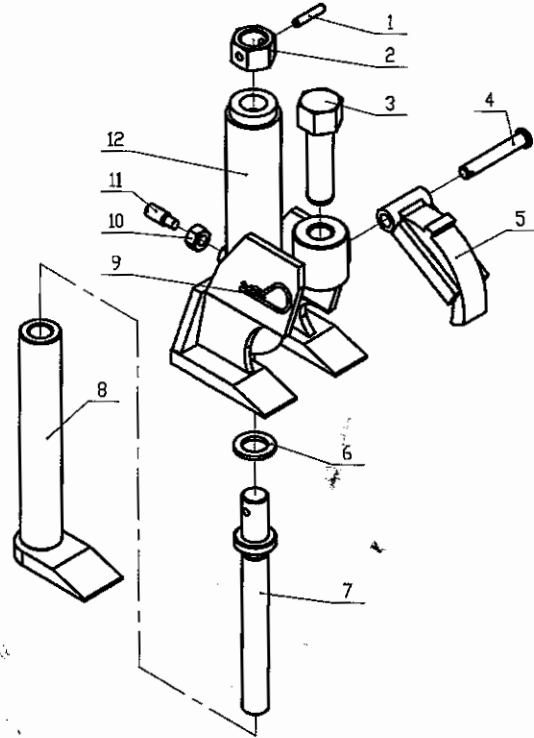


PARTS LIST



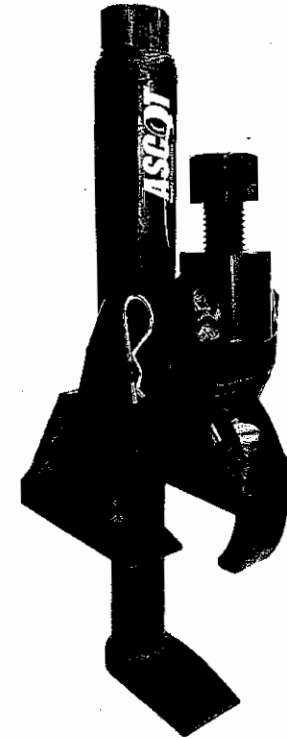
No.	Description	Item No.
1	Elastic Pin	421-84201
2	Hex Nut	421-84202
3	Short Bolt	421-84203
4	Clevis Pin	421-84204
5	Hook	421-84205
6	Nylon Washer	421-84206
7	Long Screw	421-84207
8	Claw Assembly	421-84208
9	Cotter Pin	421-84209
10	M10 Nut	421-84210
11	Grooved Screw	421-84211
12	Bush Assembly	421-84212

WARNING: For more information go to www.P65Warnings.ca.gov.

OPERATING MANUAL

MBB38-42

MANUAL BEAD BREAKER



READ INSTRUCTIONS THOROUGHLY BEFORE USE

ASCOT
Supply Corporation

WARNING: For more information go to www.P65Warnings.ca.gov.