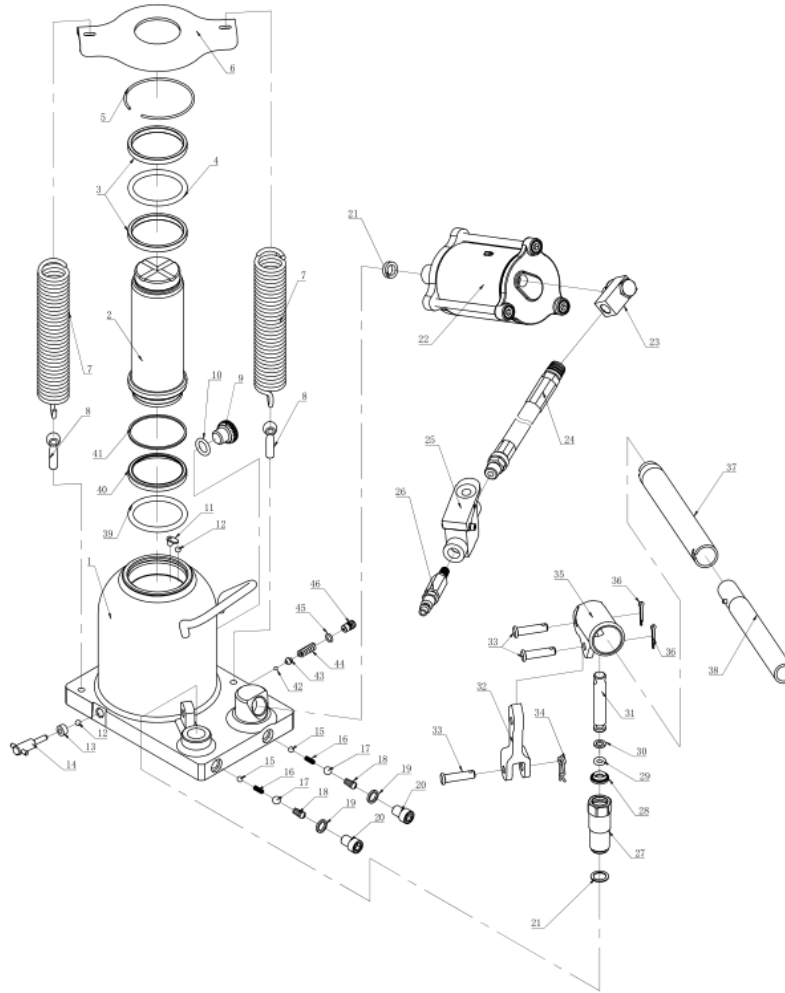


EXPLODED VIEW & PARTS LIST

MACHINE OVERVIEW



NO.	DESCRIPTION	QUANTITY
1	PUMP ASSY	1
2	PISTON ROD ASSY	1
3	LIMITING RING	2
4	O RING	1
5	RETAINER RING	1
6	SPRING BASE	1
7	SPRING	2
8	BOLT	2
9	SCREW	1
10	O RING	1
11	SEPARATION BLADE	1
12	STEEL BALL	2
13	SEAL RING	1
14	RELEASE VALVE ROD	1
15	STEEL BALL	2
16	SPRING	2

NO.	DESCRIPTION	QUANTITY
17	STEEL BALL	2
18	SPRING	2
19	WASHER	2
20	SCREW	2
21	WASHER	2
22	AIR PUMP	1
23	ROTATING JOINT	1
24	INTAKE-TUBE ASSY	1
25	AIR VALVE ASSY	1
26	PIPE CONNECTOR	1
27	PUMP CORE BASE	1
28	DUST RING	1
29	O RING	1
30	WASHER	1
31	PUMP CORE	1
32	CONNECTING ROD	1

NO.	DESCRIPTION	QUANTITY
33	PIN	3
34	R PIN	1
35	STIRRUP	1
36	PIN	2
37	HANDLE ASSY	1
38	HANDLE ASSY	1
39	O RING	1
40	BOWL WASHER	1
41	WASHER	1
42	STEEL BALL	1
43	STEEL BALL BASE	1
44	SPRING	1
45	O RING	1
46	SCREW	1