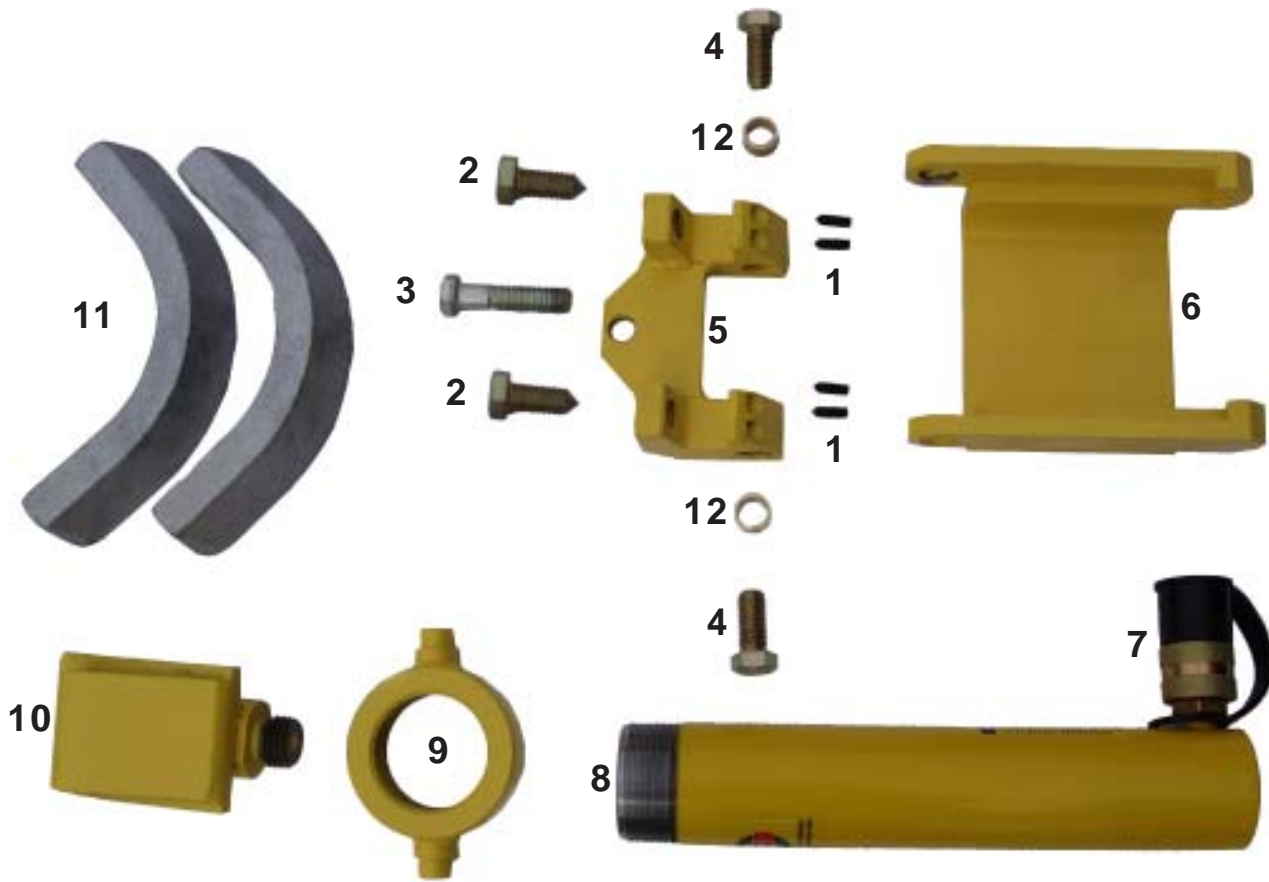


## PARTS LIST



Item No.	Part No.	Description	Qty.
1	10115	Allen Screw	4
2	10111	Clamping Screw	2
3	10112	Adjusting Screw	1
4	10114	Joint Screw	2
5	10113	Clamp	1
6	10117	Adjusting Clamp	1
7	10606	Coupling, Ram Half	1
8	10304	Ram, Hydraulic, 10 Ton-8 1/8" Stroke	1
9	10118	Trunion	1
10	10119	Spade	1
11	TO-100-23	Wedge	2
12	10116	Spacer	2