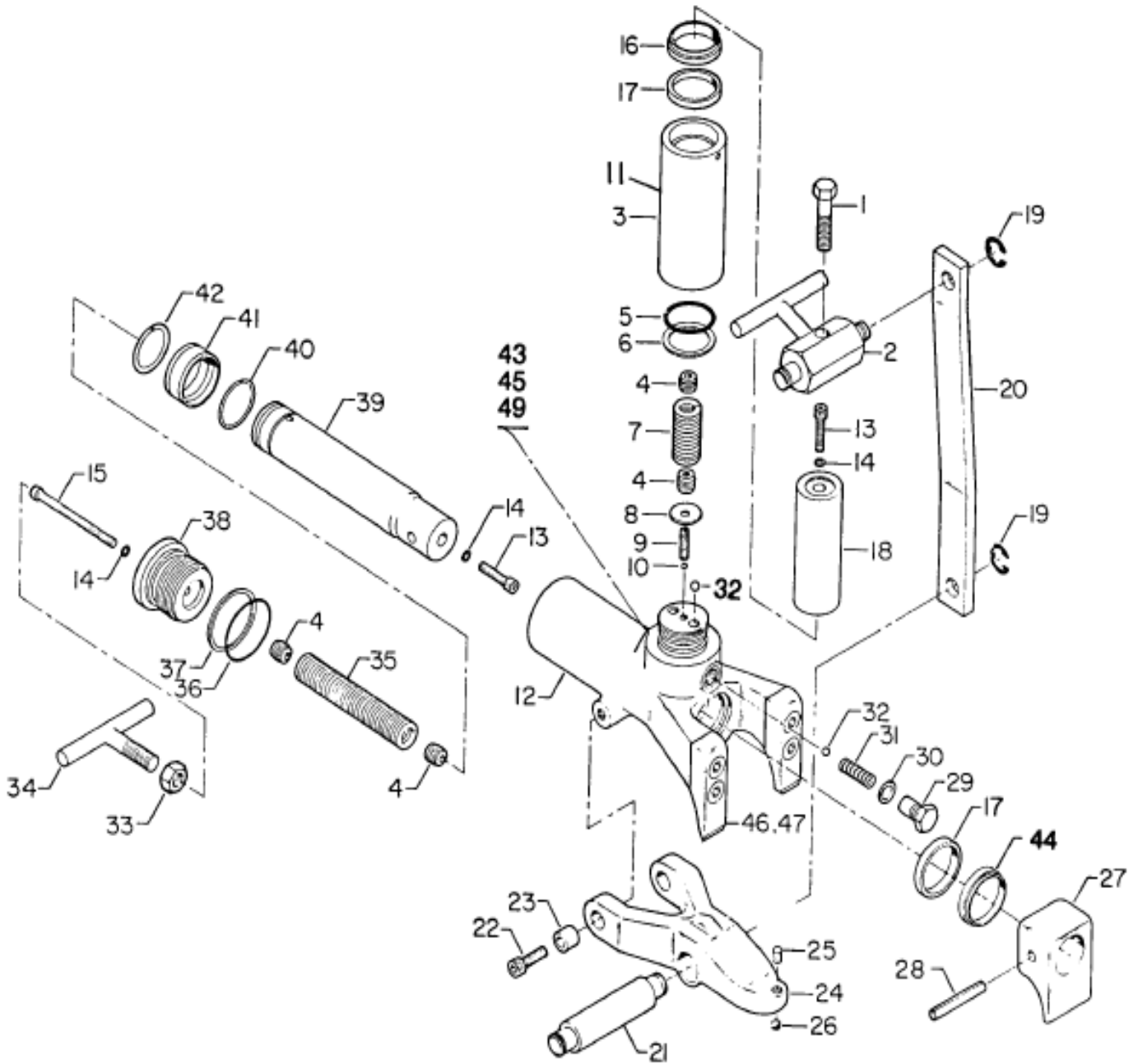


Flema

Products Ltd

PARTS:



Flema

Products Ltd

PARTS:

ITEM	DESCRIPTION	QTY	ITEM	DESCRIPTION	QTY
1.	CAP SCR	1	26.	SET SCR	1
2.	STRAP PIVOT HANDLE	1	27.	CLAW	1
3.	CLAMP CYLINDER	1	28.	ROLL PIN 3/8X2-1/4	1
4.	SPRING RETAINER	4	29.	VALVE SPRING CAP	1
5.	O-RING (PART OF 50)	1REF	30.	WASHER-COPPER(PART OF 50)	1REF
6.	BACK-UP WASHER(PART OF 50)	1REF	31.	SPRING	1
7.	SPRING	1	32.	BALL 1/4 DIA	2REF
8.	WASHER	1	33.	NUT 1/2-13 HEX JAM	1
9.	SET SCR	1	34.	HANDLE	1
10.	BALL	1	35.	SPRING	1
11.	DECAL -SER NO	1	36.	O-RING (PART OF 50)	1REF
12.	BODY	1	37.	BACK-UP WASHER(PART OF 50)	1REF
13.	CAP SCR	2	38.	BREAKER CYLINDER HEAD	1
14.	WASHER-COPPER (PART OF 50)	3REF	39.	BREAKER ROD	1
15.	CAP SCR	1	40.	RETAINING RING	1
16.	ROD WIPER (PART OF 50)	1REF	41.	BEARING	1
17.	U-CUP (PART OF 50)	2REF	42.	RETAINING RING	1
18.	CLAMP ROD	1	43.	REDUCING NIPPLE	1
19.	RETAINING RING "E" 5/8	4	44.	ROD WIPER (PART OF 50)	1REF
20.	STRAP	2	45.	STREET ELBOW 45°	1
21.	PIN	1	46.	TOOTH	2
22.	CAP SCR	2	47.	CAP SCR	4
23.	SPACER	2	49.	COUPLER - QUICK DISC F	1
24.	JAW	1	50.	SEAL KIT	1
25.	SET SCR	1		(INCL:5,6,14,16,30,36,37,44)	1

