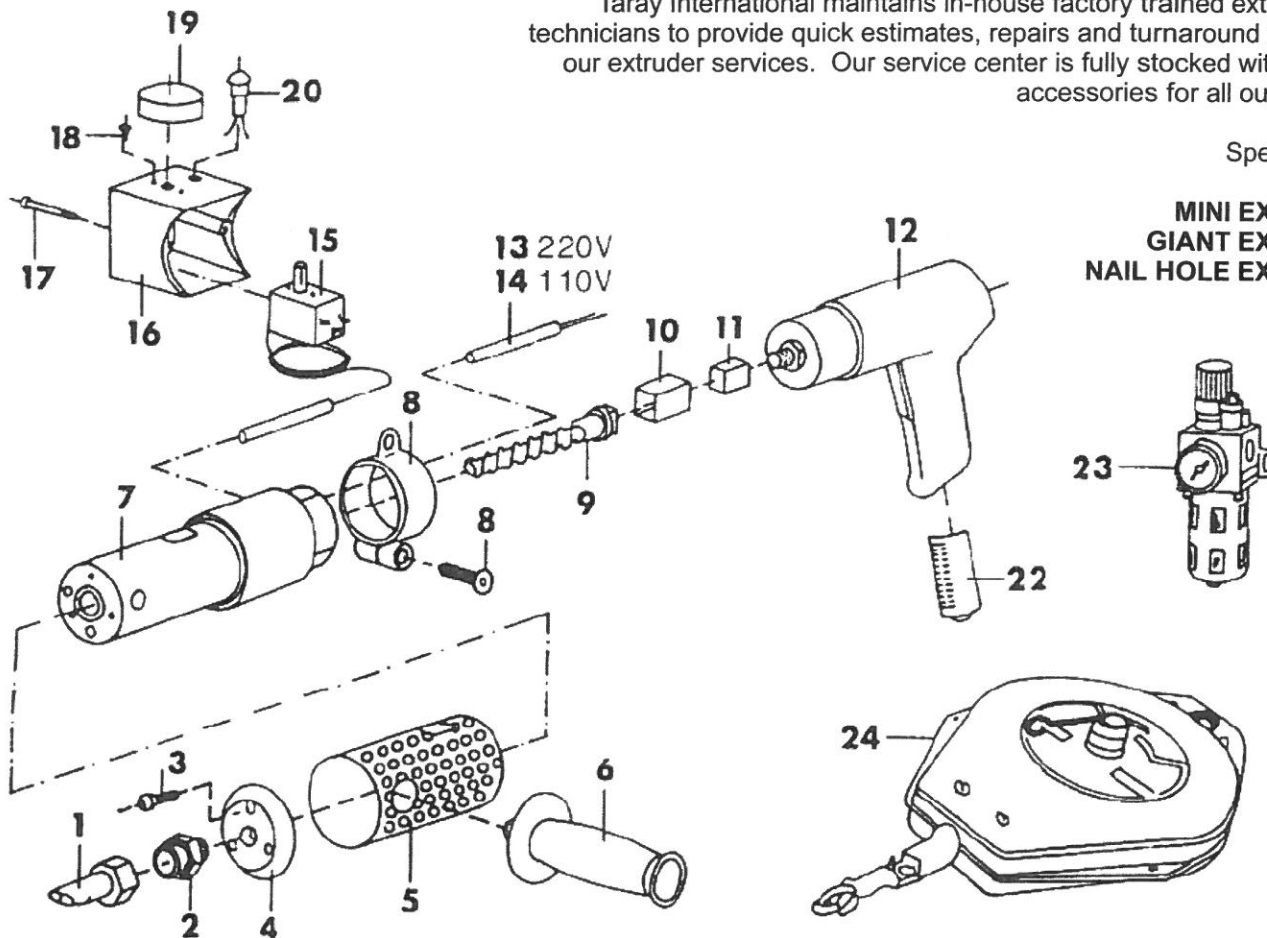


### In-House Extruder Repair & Loaner Program

Taray International maintains in-house factory trained extruder repair technicians to provide quick estimates, repairs and turnaround times for all our extruder services. Our service center is fully stocked with parts and accessories for all our extruders.

Specializing in:

**MINI EXTRUDERS  
GIANT EXTRUDERS  
NAIL HOLE EXTRUDERS**



# BOSCH

FACTORY TRAINED EXTRUDER REPAIR FACILITY

Item	Mini #	Giant #	Description
1	68501	68701	Shaped Nozzle
2	68502	68702	Nozzle Adapter
3	68503	68503	Screw For Head Cap
4	68504	68704	Head
5	68505	68705	Cooling Sleeve
6	68506	68506	Handle
7	68507	68707	Central Body
8	68508	68508	Clamp With Screw
9	68509	68709	Extruder Screw
10	68510	68510	Square Joint
11	68511	68511	Tang
12	68512	68512	Bosch Drill

Item	Mini #	Giant #	Description
13	68513	68713	Heat Element - 220V
14	68514	68714	Heat Element - 110V
15	68515	68515	Thermostat
16	68516	68516	Control Box
17	68517	68517	Screw For Control Box
18	68518	68518	Screw For Thermostat
19	68519	68519	Knob
20	68520	68520	Pilot Light
22	68521	68521	Muffler
23	68522	68522	Air Filter / Regulator / Lubricator (opt.)
24	68524	68524	Retractable Reel

**BOSCH**

Elektrowerkzeuge

3051F02

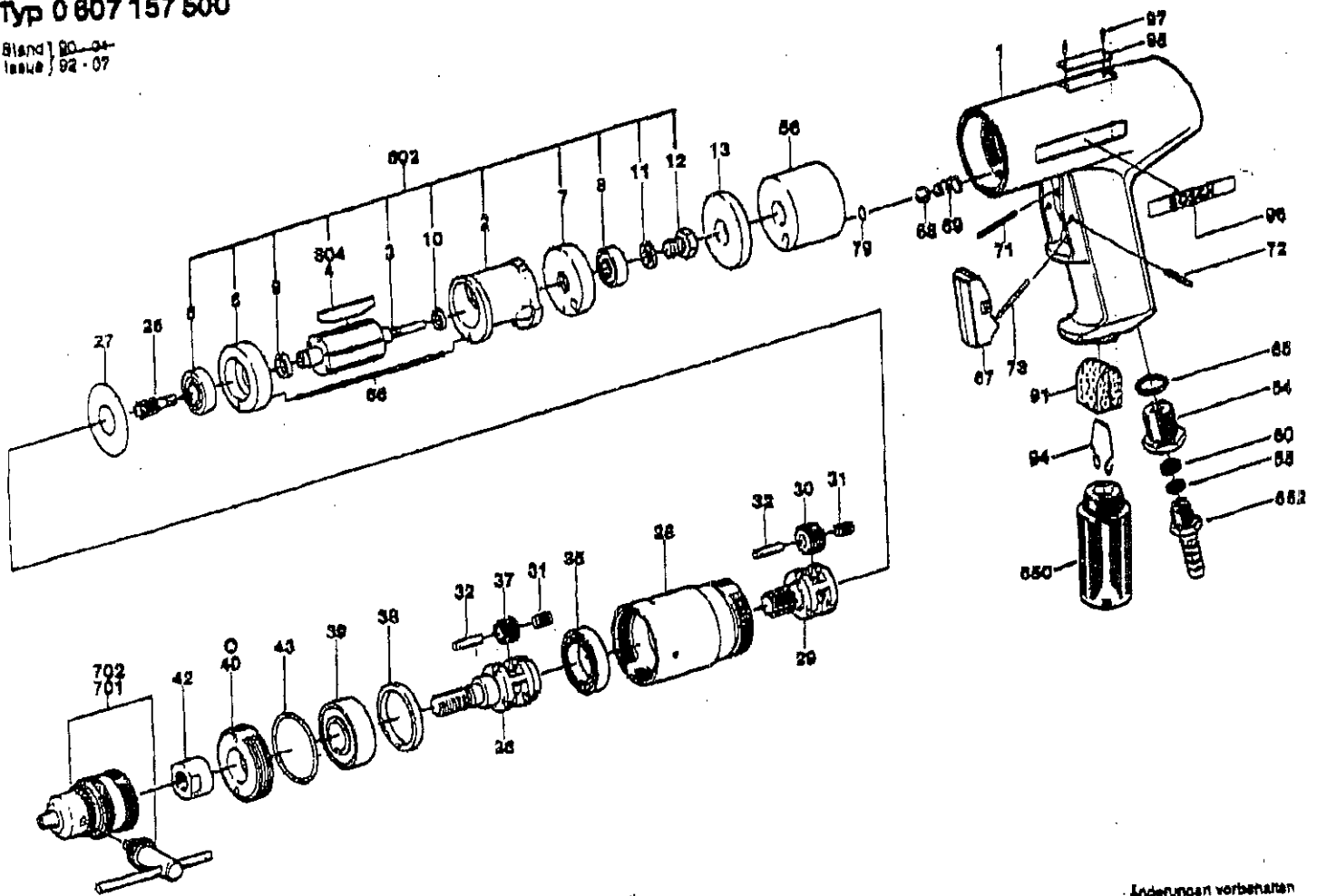
Drille  
2550 WATT-SERIE

0 607 157 500

CD Version 5/96

Typ 0 607 157 500

Bild / 00-04  
Issue / 02-07



□ Linksgewinde  
Left hand thread  
Filetage gauche  
Filete izquierda

Änderungen vorbehalten  
Modifications reserved  
Modificacions reserves  
Bahwa modificalones  
Robert Bosch GmbH  
Geschäftsbereich Elektrowerkzeug  
D 7022 Leinfelden-Echterdingen 1

Bosch Giant Extruder  
Drive