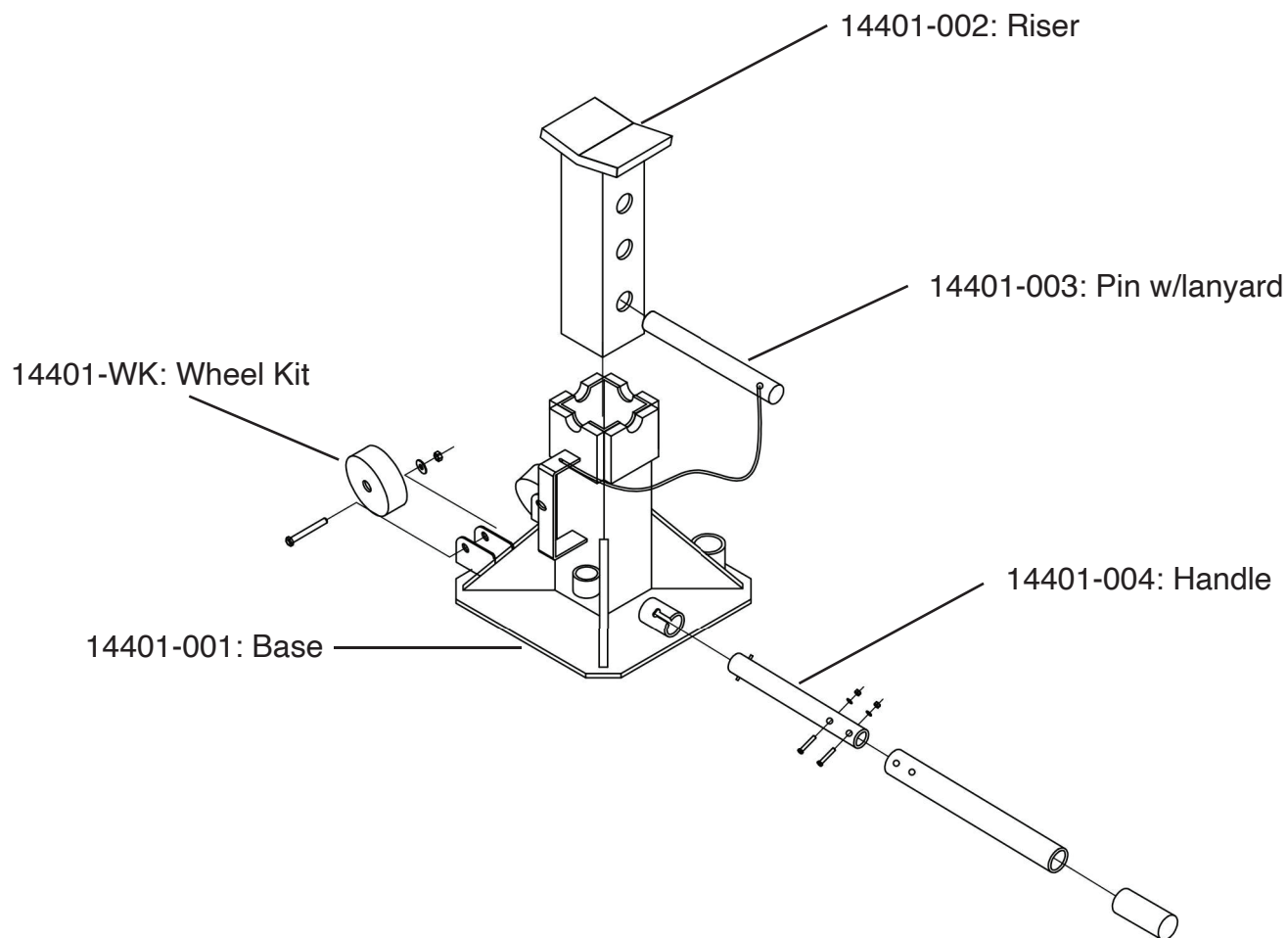


## Parts Breakdown



PRODUCT NO.	DESCRIPTION	QTY
14401-001	BASE	1
14401-002	RISER	1
14401-003	PIN W/LANYARD	1
14401-004	HANDLE	1
14401-WK	WHEEL KIT	1