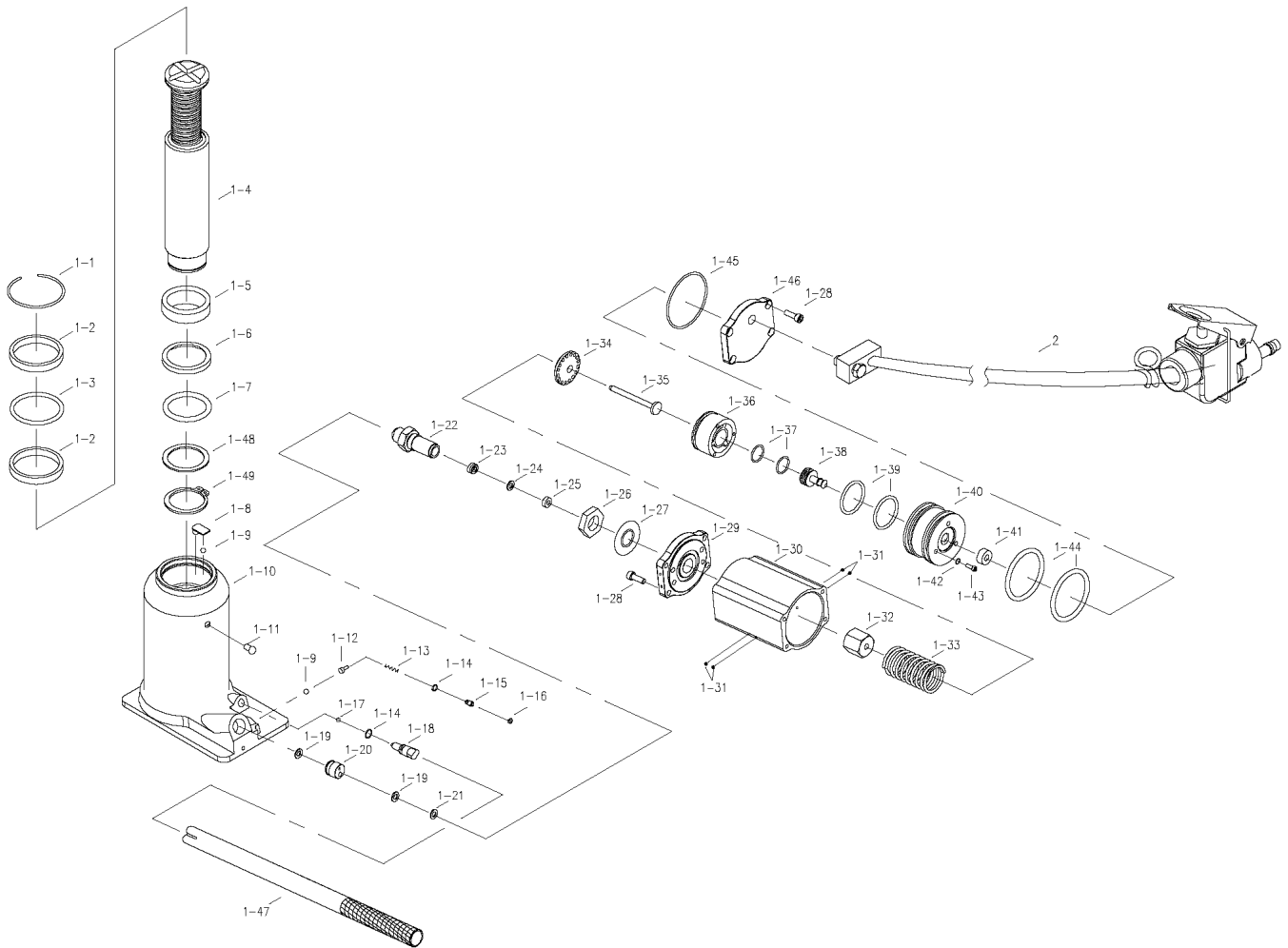




# INSTRUCTION MANUAL

## Parts Diagram





# Parts List

Item No.	Description	Q'TY	Item No.	Description	Q'TY
1-1	Snap Ring	1	1-26	Nut	1
1-2	Bushing	2	1-27	Spring	1
1-3	O-ring	1	1-28	Screw	8
1-4	Ram Assy	1	1-29	Front Cover	1
1-5	Piston Ring	1	1-30	Air Motor Housing	1
1-6	Seal Washer	1	1-31	Steel Ball	4
1-7	O-ring	1	1-32	Screw	1
1-8	Retainer	1	1-33	Spring	1
1-9	Steel Ball	2	1-34	Washer	1
1-10	Oil Tank Assy	1	1-35	Pump Plunger	1
1-11	Oil Filler Plug	1	1-36	Piston Base	1
1-12	Ball Seat	1	1-37	O-ring	2
1-13	Spring	1	1-38	Air Shuttle Valve	1
1-14	O-ring	2	1-39	O-ring	2
1-15	Screw	1	1-40	Air Piston	1
1-16	Nut Cap	1	1-41	Shuttle Valve Seal	1
1-17	Steel Ball	1	1-42	O-ring	3
1-18	Release Rod Assy	1	1-43	Screw	3
1-19	Copper Washer	2	1-44	O-ring	2
1-20	Valve Block Assy	1	1-45	O-ring	1
1-21	Nylon Gasket	1	1-46	Back Cover	1
1-22	Pump Cylinder	1	1-47	Handle	1
1-23	Y-seal	1	1-48	Washer	1
1-24	Nylon Gasket	1	1-49	Snap Ring	1
1-25	Copper Bush	1	2	Air Valve Assy	1