

REPLACEMENT PARTS (refer to page 6 thru 8)

Not all components of the jack are replacement items, but are illustrated as a convenient reference of location and position in the assembly sequence. When ordering parts, give Model number, serial number and parts description. Call or write for current pricing: SFA Companies Inc. 10939 N. Pomona Ave. Kansas City, MO 64153, U.S.A. Tel:(888) 332-6419 Fax:(816) 891-6599 E-Mail: sales@omegalift.com Omega Website: http://www.omegalift.com

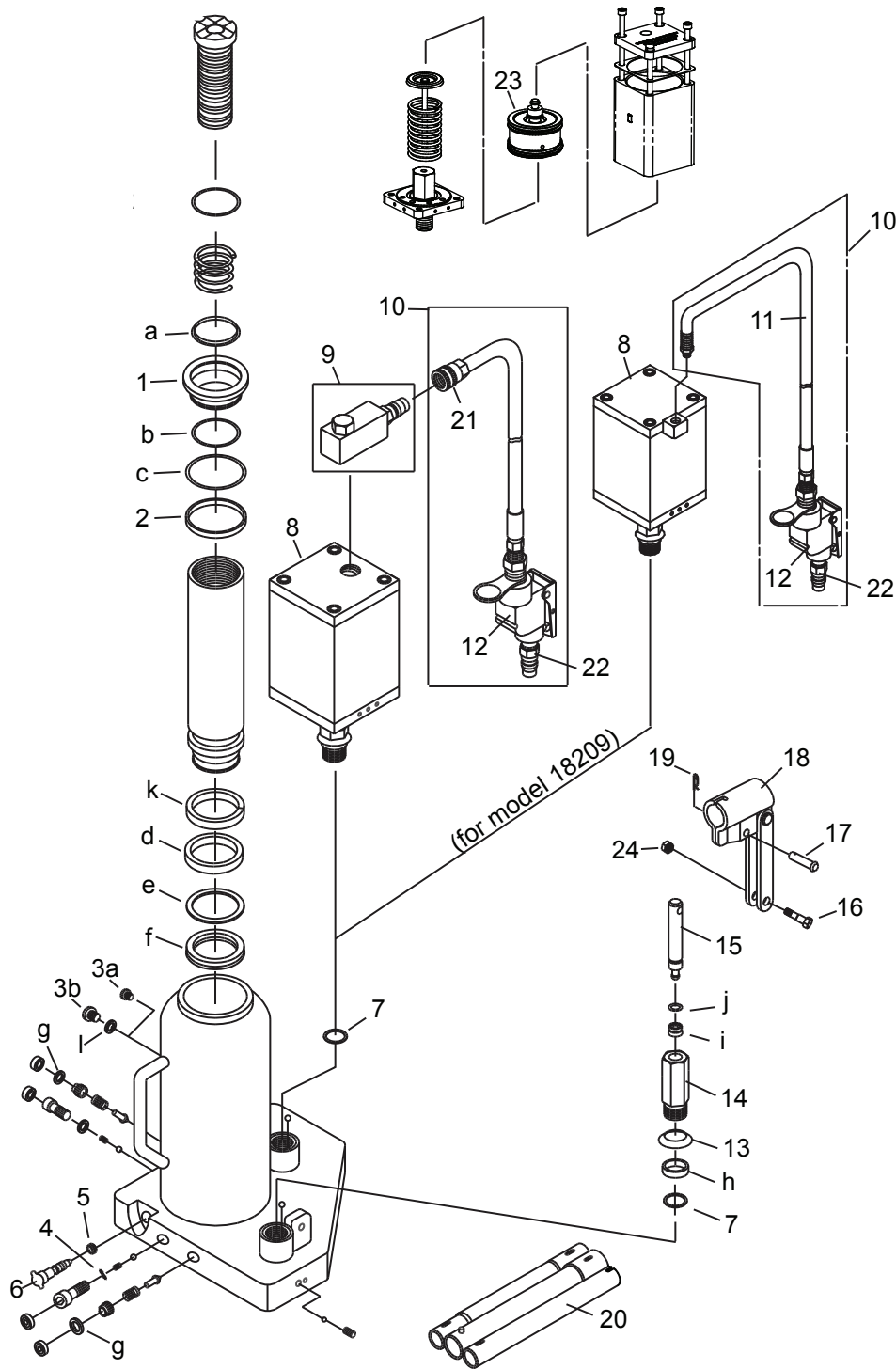


Figure 3 - Model 18122C, 18202C & 18209 Replacement Parts Illustration

Replacement Parts List for Models 18122C, 18202C & 18209

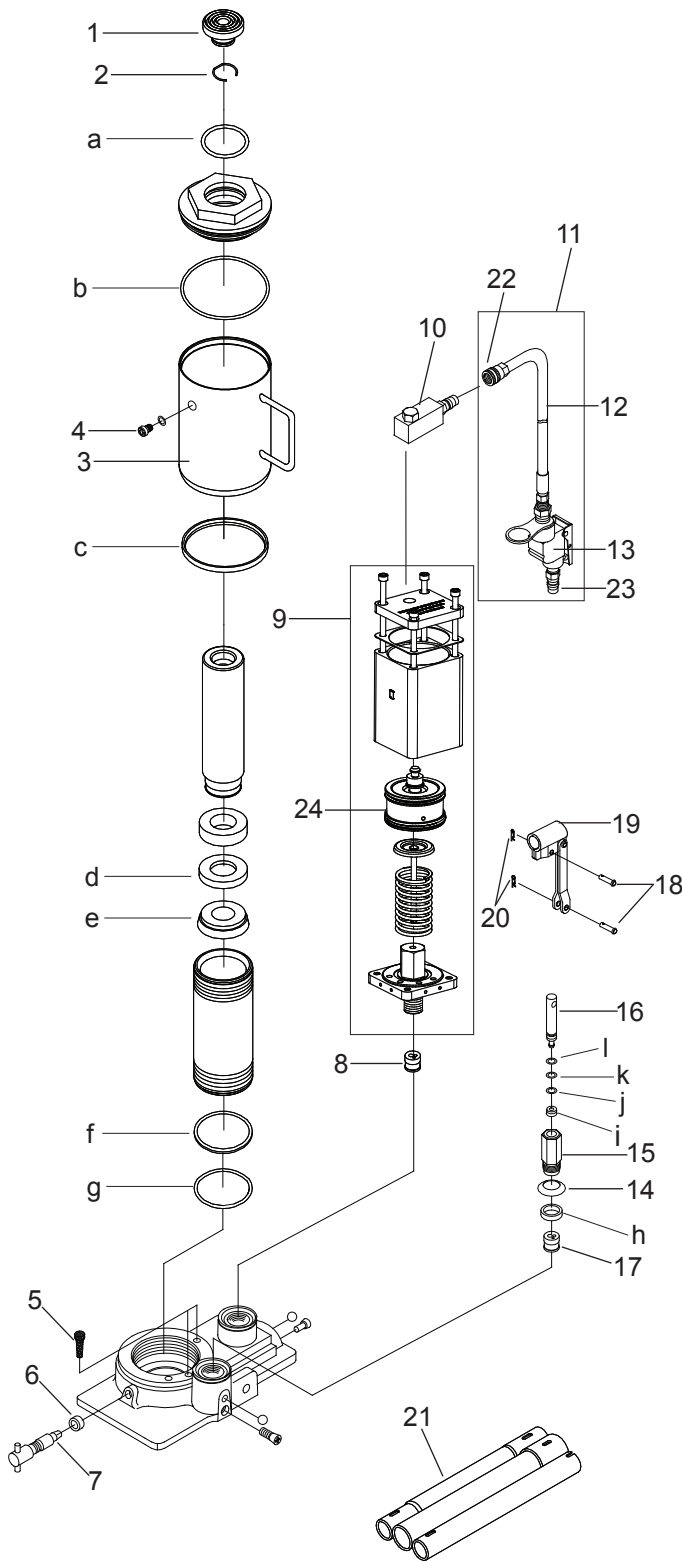
Item	Part# for 18122C	Part# for 18202C	Part# for 18209	Description	Qty.
1	A120-10004-000	A190-10002-000		Cylinder Fastener	1
2	A120-10003-000	A190-10001-000		Guide Ring	1
3a	5905-00100-200	N/A		Filler Plug	1
3b	N/A	G62S-03301-000		Filler Screw	1
4	A120-10002-000			Special Washer	2
5	5905-00054-000			Seal	1
6	BT10-24001-000			Release Valve	1
7	5308-00095-000			Gasket	2
8	A27010-0001	A27060-0003		Air Motor	1
9	A27010-0002	N/A		Air Inlet Swivel	1
10	A20060-0005	A20060-0015		Hose Assy.	1
11	A20060-0006			Air Hose	1
12	A20060-0007			Lift Control Valve	1
13	B020-15002-000			Washer	1
14	B080-15001-000			Pump Cylinder	1
15	A120-15101-000			Pump Piston	1
16	5115-08033-000			Bolt	1
17	5405-07024-000			Pin	1
18	A120-13000-000			Handle Socket	1
19	5405-02018-000			Snap Pin	1
20	B10N-21000-000			Handle Assembly	1
21	A27010-0011	N/A		Air Coupler, Female 1/4 NPT	1
22	A20060-0016			Air Coupler, Male 1/4 NPT	1
23	A27010-0008			Piston, Air Motor	1
24	5206-00008-001			Nut	1
*	A1206S-046	A1906S-047		Seal Kit (includes #4a, 6 & a~l)	-
-	A27010-0000			Seal Kit, Air Motor	-
-	18122C-L0	18202C-L0	18209-L0	Label	1
-	18122C-M2			Manual	1

(*) Seal Kit Contents:

Item	Description	Qty.
3a	Filler Plug (for 18122C only)	1
5	Seal	1
a	Dust Wiper	1
b	O-ring	1
c	O-ring	1
d	Ram Bearing	1
e	Back-up Ring	1

Item	Description	Qty.
f	U-cup	1
g	O-ring	2
h	Packing	1
i	Oil Seal	1
j	O-ring	1
k	Ram Bearing (for 18202C & 18209)	1
l	O-ring (for 18202C & 18209)	1

Replacement Parts Illustration and Parts List for Model 18302C



Item	Part# for 18302C	Description	Qty.
1	B300-10003-000	Saddle	1
2	5308-00380-000	Spring	1
3	B300-15000-000	Reservoir	1
4	G62S-03301-000	Filler Screw	1
5	B120-10003-000	Filter	2
6	5905-00054-000	Seal	1
7	BT02-17100-000	Release Valve	1
8	G100-44000-000	Hyd. Cartridge	1
9	A27010-0001	Air Motor	1
10	A27010-0002	Air Inlet Swivel	1
11	A20060-0005	Hose Assy.	1
12	A20060-0006	Air Hose	1
13	A20060-0007	Lift Control Valve	1
14	B300-14002-000	Washer	1
15	B300-14001-000	Pump Cylinder	1
16	B300-14101-000	Pump Piston	1
17	G150-04500-000	Hyd. Cartridge	1
18	5405-08030-000	Pin	2
19	B300-13000-000	Handle Socket	1
20	5405-02018-000	Snap Pin	2
21	B300-17000-000	Handle Assembly	1
22	A27010-0011	Air Coupler, Female	1
23	A20060-0016	Air Coupler, Male	1
24	A270-01100-0000	Piston, Air Motor	1
*	B3000S-034	Seal Kit	-
-	A27010-0000	Seal Kit, Air Motor	-
-	18302C-L0	Label	1
-	18122C-M2	Manual	1

(*) Seal Kit Contents:

Item	Description	Qty.
2	Spring	1
6	Seal	1
a	O-ring	1
b	O-ring	1
c	Packing	1
d	Back-up Ring	1
e	U-cup	1
f	Back-up Ring	1
g	O-ring	1
h	Seal	1
i	U-cup	1
j	Back-up Ring	1
k	Back-up Ring	1
l	O-ring	1

Figure 4 - Model 18302C Replacement Parts Illustration