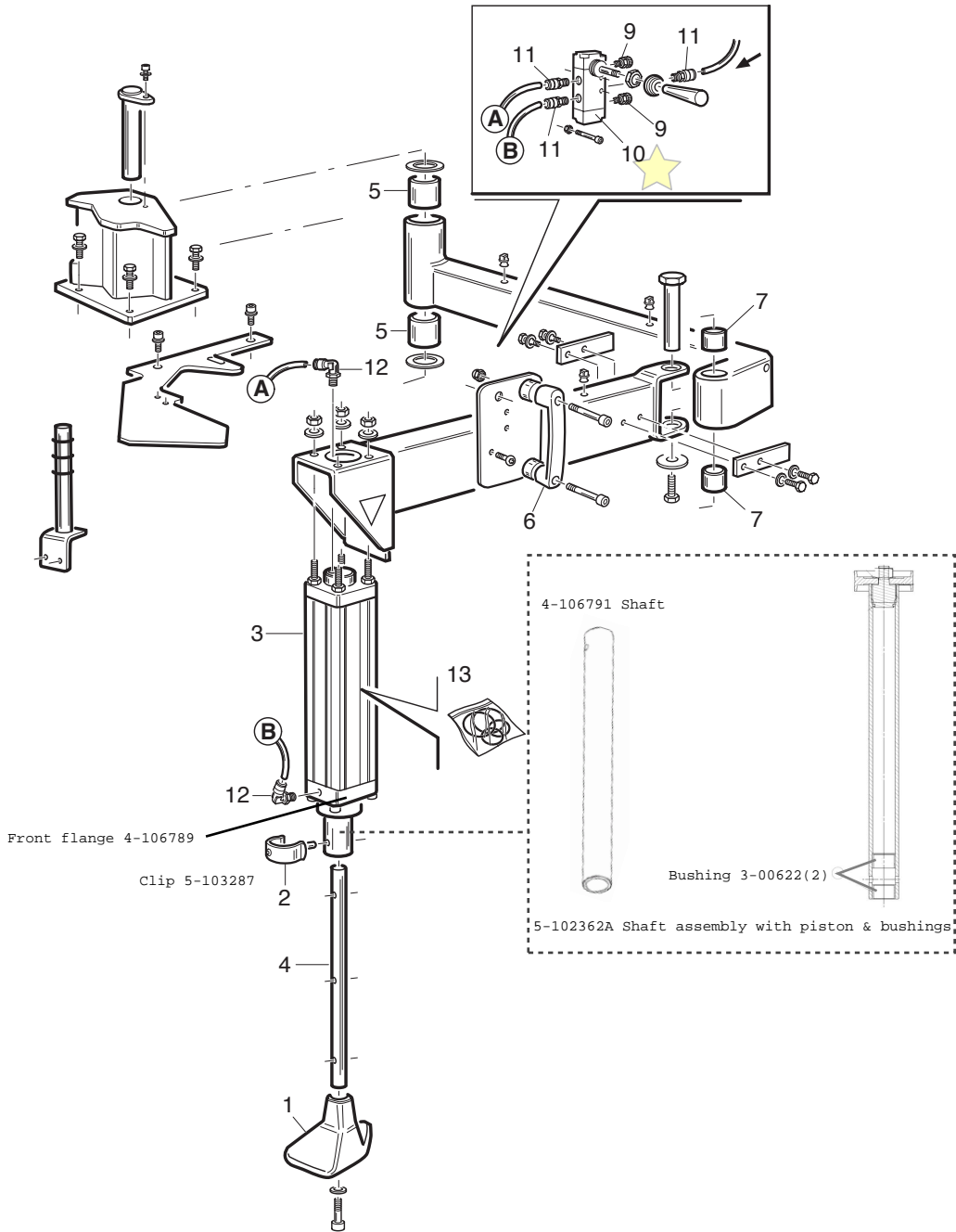


Kit premitallone

Cod. 4-105158C del 11/09


Italiano	Kit premitallone	3
English	Bead pressing arm kit	7
Français	Kit presse-talon	11
Deutsch	Wulstniederhalter-Set	15
Español	Kit prensa-talón	19

	Kit Premitallone	Fig.A	04/08	Completivo
--	------------------	-------	-------	------------



	Kit Premitalлоне	Fig.A	04/08	Completivo
--	------------------	-------	-------	------------

0001	4-106888	TAMPONE	PAD	PUFFER	TAMPON
0002	5-103287	FERMO	RETAINER	ANSCHLAG	ARRET
0003	5-102369	CILINDRO	CYLINDER	ZYLINDER	CYLINDRE
0004	9004-101900	STELO	STEM	SCHAFT	TIGE
0005	9003-80114	BOCCOLA	BUSHING	LAGER	DOUILLE
0006	900458702	MANIGLIA	HANDLE	HANDGRIFF	POIGNEE
0007	9003-80106	BOCCOLA	BUSHING	LAGER	DOUILLE
0008	900440585	MANOPOLA	KNOB	BALLENGRIFF	BOUTONE
0009	900415279	SILENZIATORE	SILENCER	SCHALLDAEMPFER	SILENCIEUX
0010	9004435644	VALVOLA	VALVE	VENTIL	VANNE
0011	900441568	RACCORDO	CONNECTOR	ANSCHLUSS	RACCORD
0012	3-00053	RACCORDO	CONNECTOR	ANSCHLUSS	RACCORD
0013	5-102410	KIT GUARNIZIONI	SEALS KIT	DICHTUNGSATZ	KIT JOINTS

	<p>Kit premitallone pneumatico <i>Pneumatic bead pressing tool</i></p>	<p>8-11100097</p>
---	--	--------------------------

